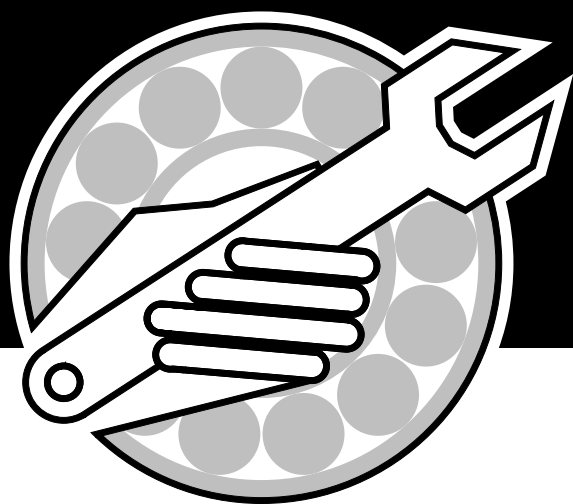




Parts Manual



Rangler III Packer Harrow Bar

Part Number H20516-04

IMPORTANT:

ALL ITEMS ARE IDENTIFIED WITH A PART NUMBER. Some of the smaller parts such as bolts, nuts, washers, etc. are not all shown, however, the quantity used are listed in the text for that section which they fit into. That particular quantity is always the quantity required for one complete assembly.

Smaller parts, which are welded together to construct a larger part, are not to be ordered as individual pieces, unless they have a part number to identify them.

Contact your nearest dealer for genuine repair parts. Dealers carry ample stock and are backed by the manufacturer and regional associations.

MORRIS PAINT

Spray Cans:

Part Number	Description
W-4647	Red MORRIS Spray Can
W-4648	Blue MORRIS Spray Can
N31087	Sky White MORRIS Spray Can

Litre Cans:

Part Number	Description
Z-10	Red MORRIS Paint/Litre
Z-11	Blue MORRIS Paint/Litre

Table of Contents

Section 1:	
Frame	1-1
Frames - All Models	1-2
Wing Lift Assembly	1-5
Hitch Jack	1-6
Section 2:	
Wheels	2-1
Wheels & Tires Assemblies	2-2
Section 3:	
Packers	3-1
Packer Coils	3-2
Section 4:	
Harrow Assemblies	4-1
4 Bar - 60 Inch	4-2
4 Bar - 75 Inch	4-4
5 Bar - 60 Inch	4-6
5 Bar - 75 Inch	4-8
Section 5:	
Hydraulics	5-1
Main Hydraulic System	5-2
Valve kit for 5 Frame Cultivators	5-4
Air Cart Hydraulic Hose Extension Kit	5-6
Concept 2000 Hydraulic Hose Extension Kit Tow Between Cart	5-8
Hydraulic Cylinder	5-9
Section 6:	
Options	6-1
Single Track Eradicator	6-2
Dual Track Eradicator	6-3
Harrow Hold Down Kit	6-4
Cultivator Tow Hitch	6-5
Tow Hitch Concept 2000	6-6
Index	Index-i

Table of Contents

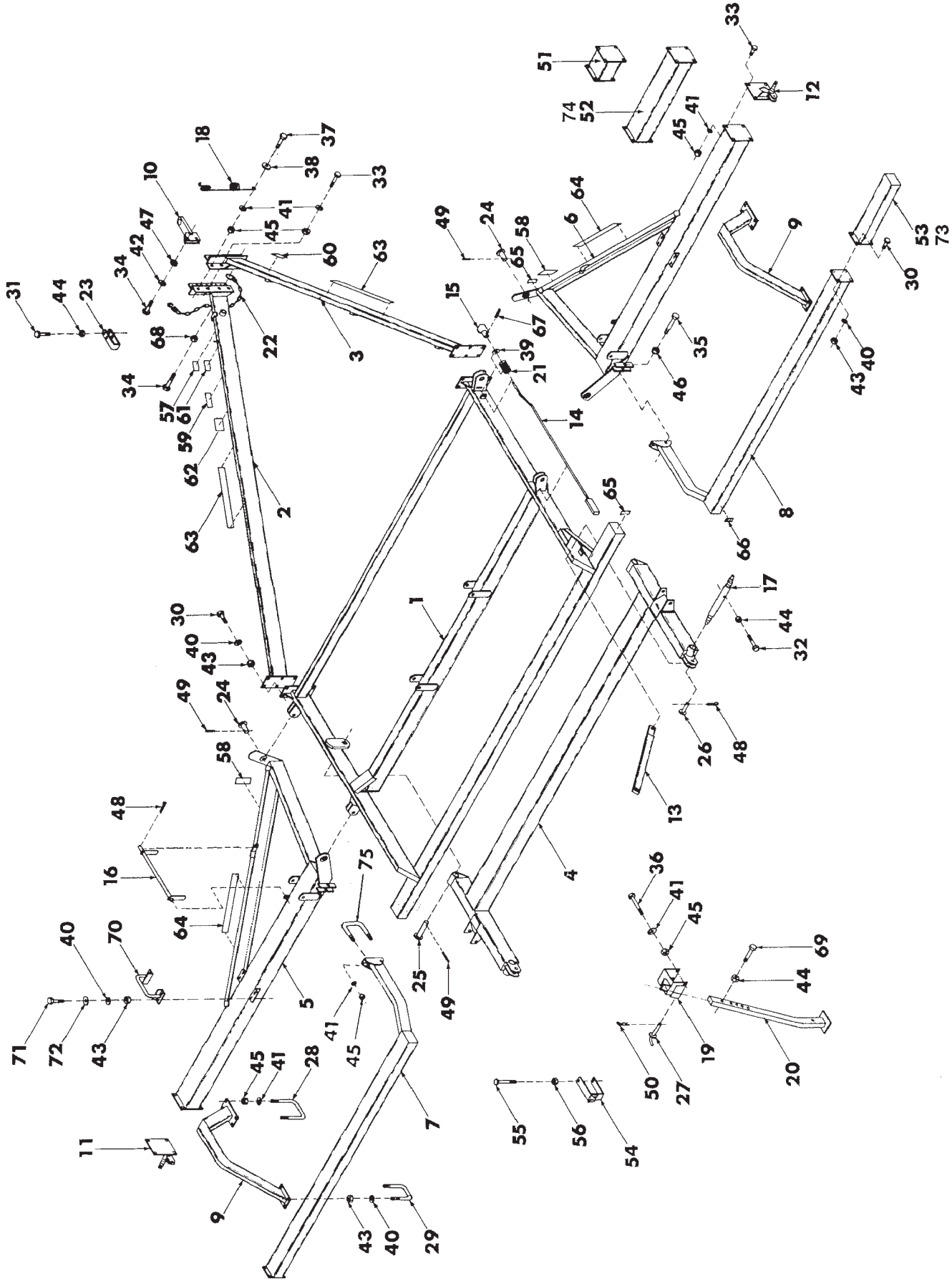
Notes

Section 1: Frame

Section Contents

Frames - All Models	1-2
Wing Lift Assembly	1-5
Hitch Jack	1-6

Frame Frames - All Models



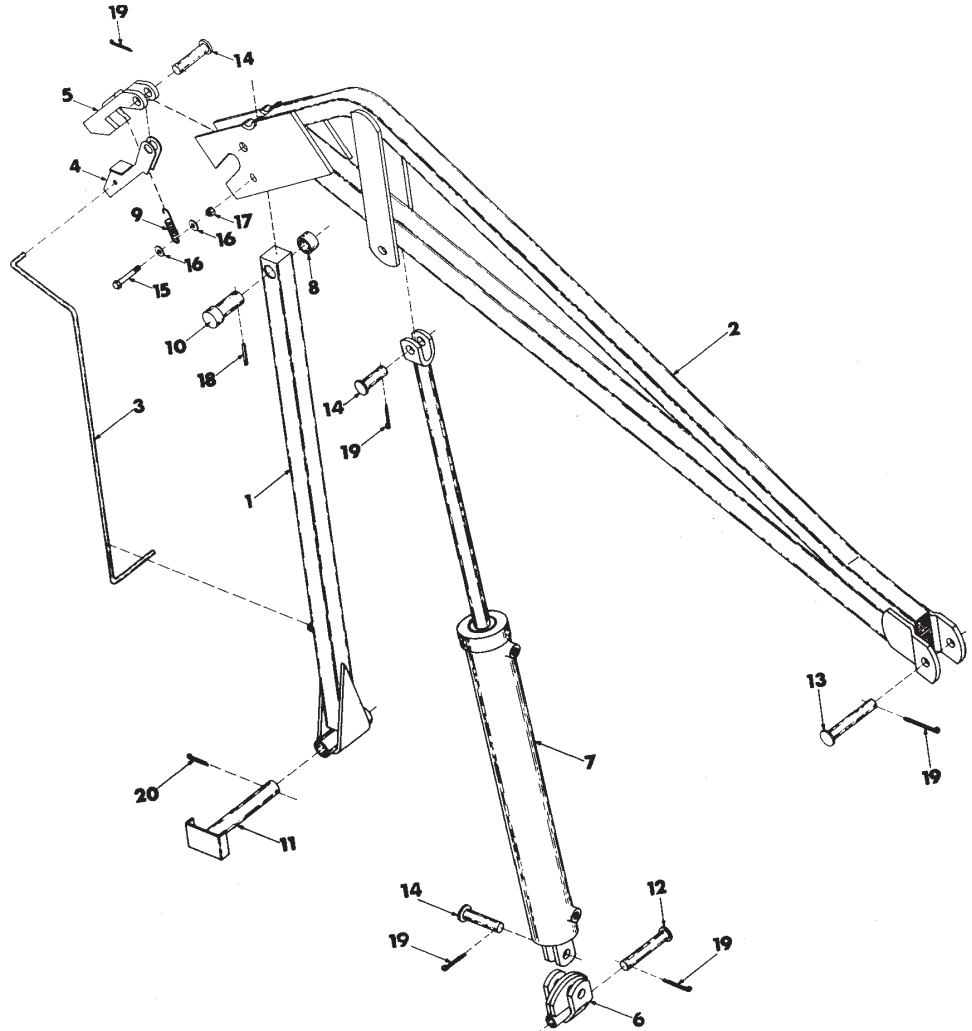
Frames - All Models

Item	Part No.	Description	No. Used			
			36ft	38ft	41ft	43ft
1	H21095	Main Frame	1	1	1	1
2	H21292	Left Hitch Pole	1	1	1	1
2A	H22825	Long Lt Hitch Pole (Optional)	1	1	1	1
3	H21148	Right Hitch Pole	1	1	1	1
3A	H22824	Long Rt Hitch Pole (Optional)	1	1	1	1
4	H21144	Main Axle	1	1	1	1
5	H21352	Left Wing Frame	1	1	1	1
6	H21181	Right Wing Frame	1	1	1	1
7	H21639	Left Harrow Frame	1	1	1	1
8	H21374	Right Harrow Frame	1	1	1	1
9	H21379	Harrow Bridge Frame	2	2	2	2
10	H18551	Hitch Clevis	1	1	1	1
11	H21422	Left Field Axle	1	1	1	1
12	H21421	Right Field Axle	1	1	1	1
13	H21128	Transport Lock Arm	2	2	2	2
14	H21334	Push Rod	2	2	2	2
15	H21332	Wedge	2	2	2	2
16	H21350	Extension Lever - Lock	2	2	2	2
17	H21149	Dual Spindle	2	2	2	2
18	W-7	Hose Holder	1	1	1	1
19	H21390	Anti Tip Bracket	1	1	1	1
20	H21386	Anti Tip Over Leg	1	1	1	1
21	J11296	Spring	2	2	2	2
22	C18759	Safety Chain	1	1	1	1
23	C18758	Intermediate Chain Support	1	1	1	1
24	H21342	Hinge Pin	4	4	4	4
25	H21344	Main Axle Pin	2	2	2	2
26	W-558	Pin	2	2	2	2
27	D-5140	Pin 1/2" Dia	1	1	1	1
28	H21406	U-Bolt - 5/8" x 8 1/16" x 7 3/8"	4	4	4	4
29	H-4322	U-Bolt - 1/2" x 6" x 5 5/8"	4	4	4	4
30	S-1189	Bolt - 1/2" x 1 3/4" Lg	12	12	20	20
31	D-5519	Bolt - 1/2" x 3 1/4" Lg	1	1	1	1
32	W-493	Bolt - 1/2" x 3 1/2" Lg	2	2	2	2
33	W-498	Bolt - 5/8" x 1 3/4" Lg	10	10	18	18
34	S-1175	Bolt - 3/4" x 4 1/2" Lg	3	3	3	3
35	C-507	Bolt - 5/8" x 6" Lg	2	2	2	2
35A	W-1326	Hex Bolt - 5/8" x 3 3/4" Lg (W/O Harrows)	2	2	2	2
36	P1C10120	Bolt - 5/8" x 7 1/2" Lg	2	2	2	2
37	W-500	Bolt 5/8" x 2 1/4" Lg	1	1	1	1
38	W-540	Flat Washer - 5/8"	1	1	1	1
39	H30043	Flat Washer - 1 1/64" ID x 1 5/8" OD x 3/16" Thick	2	2	2	2
40	W-525	Lockwasher - 1/2"	28	28	36	36
41	W-526	Lockwasher - 5/8"	25	25	33	33
42	W-527	Lockwasher - 3/4"	2	2	2	2
43	W-516	Hex Nut - 1/2"	28	28	36	36
44	F-3405	Lock Nut - 1/2"	4	4	4	4
45	W-517	Hex Nut - 5/8"	25	25	33	33
46	S-1197	Lock Nut - 5/8" Unitorque	2	2	2	2
47	W-518	Hex Nut - 3/4"	2	2	2	2
48	W-4181	Cotter Pin - 1/4" x 2" Lg	4	4	4	4
49	T-5245	Spiral Pin - 3/8" x 2 1/2"	6	6	6	6

Frames - All Models

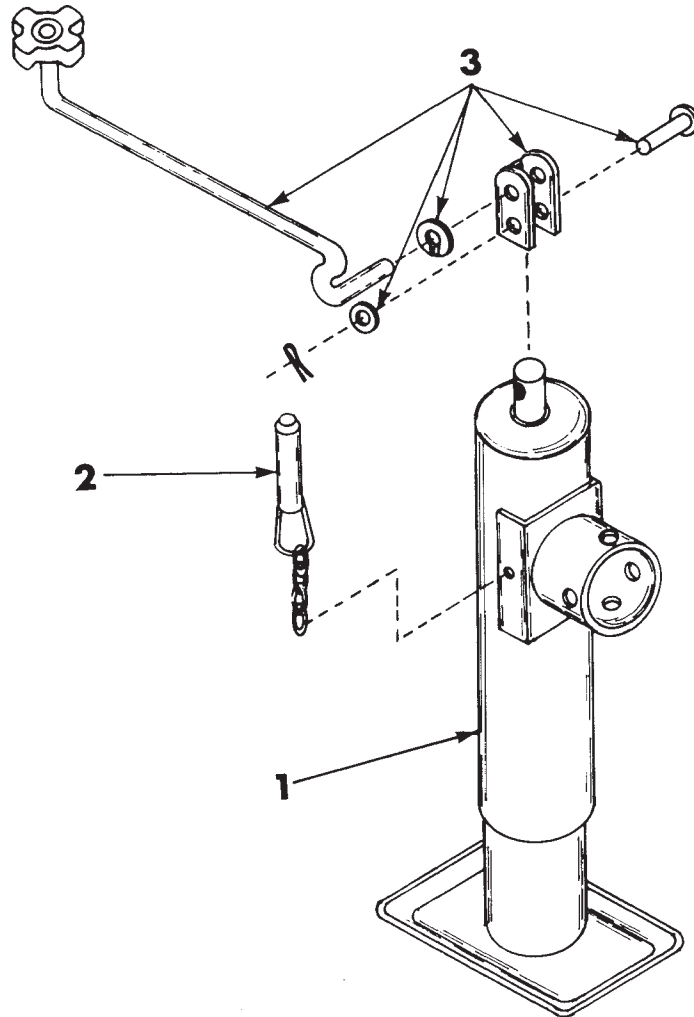
Item	Part No.	Description	No. Used			
			36ft	38ft	41ft	43ft
50	BW-11	Hair Pin - 3/16"	1	1	1	1
51	H21637	Short Frame Extension	0	2	0	0
52	H21381	Long Frame Extension	0	0	0	2
53	H21383	Harrow Frame Extension	0	0	0	2
54	H21678	Slow Moving Sign Bracket	1	1	1	1
55	W-1599	Hex Head Bolt - 1/4" x 4 1/2" Lg	1	1	1	1
56	W-512	Hex Nut - 1/4"	1	1	1	1
57	N24301	Decal - Caution	1	1	1	1
58	C13704	Decal - Danger "Wing May Fall"	2	2	2	2
59	H18275	Decal - Caution	1	1	1	1
60	C-4262	Decal - Caution	1	1	1	1
61	H21692	Decal - Danger	1	1	1	1
62	N15194	Decal - Danger "Electro Hazard"	1	1	1	1
63	C-3902	Decal - Morris	2	2	2	2
64	H21470	Decal - Rangler III	2	2	2	2
65	N34477	Reflector - Amber	4	4	4	4
66	N34476	Reflector - Red	2	2	2	2
	N34478	Reflector - Orange	2	2	2	2
67	D-5244	Spiral Pin - 1/4" x 2" Lg	2	2	2	2
68	D-5275	Lock Nut - 3/4"	1	1	1	1
69	W-490	Hex Bolt - 1/2" x 2 1/2" Lg	1	1	1	1
70	H24373	Wing Lock Loop	2	2	2	2
71	W-488	Hex Bolt - 1/2" x 2" Lg	8	8	8	8
72	S-1925	Flat Washer - 1/2"	8	8	8	8
73	H25665	Harrow Frame Extension	0	0	2	0
74	H25666	Long Frame Extension	0	0	2	0
75	H21436	U-Bolt - 5/8" x 6 1/16" x 10 1/4"	2	2	2	2

Frames Wing Lift Assembly



Item	Part No.	Description	Qty
1	H21190	Wing Lift Arm	1
2	H21161	Lock Arm	1
3	H21366	Right Push Rod	1
3A	H21367	Left Push Rod	1
4	H21364	Inner Latch	1
5	H21361	Lock Latch	1
6	H21153	Knuckle	1
7	C-2198	Cylinder - 4 1/2" x 30"	1
8	H21338	Bushing	1
9	W-106	Spring	1
10	H21339	Stop Pin - 1 1/4" x 3 1/16" U Lg	1
11	H21445	Wing Lift Pin W/Retainer - 1 1/4" x 9 1/8" U Lg	1
12	H21346	Knuckle Pin - 1" x 6 5/8" U Lg	1
13	F-3645	Lock Arm Pin - 1" x 5 1/4" U Lg	1
14	C-1429	Cylinder Pin - 1" x 3 3/8" U Lg	3
15	C-1550	Bolt - 3/8" x 4" Lg	1
16	D-5489	Washer - 0.406 ID x 13/16 OD x 16 GA	2
17	M-3388	Locknut - 3/8" Unitorque	1
18	D-5244	Spiral Pin - 1/4" x 2" Lg	1
19	W-535	Cotter Pin - 1/4" x 1 1/2" Lg	5
20	W-4181	Cotter Pin - 1/4" x 2" Lg	1

Frames Hitch Jack



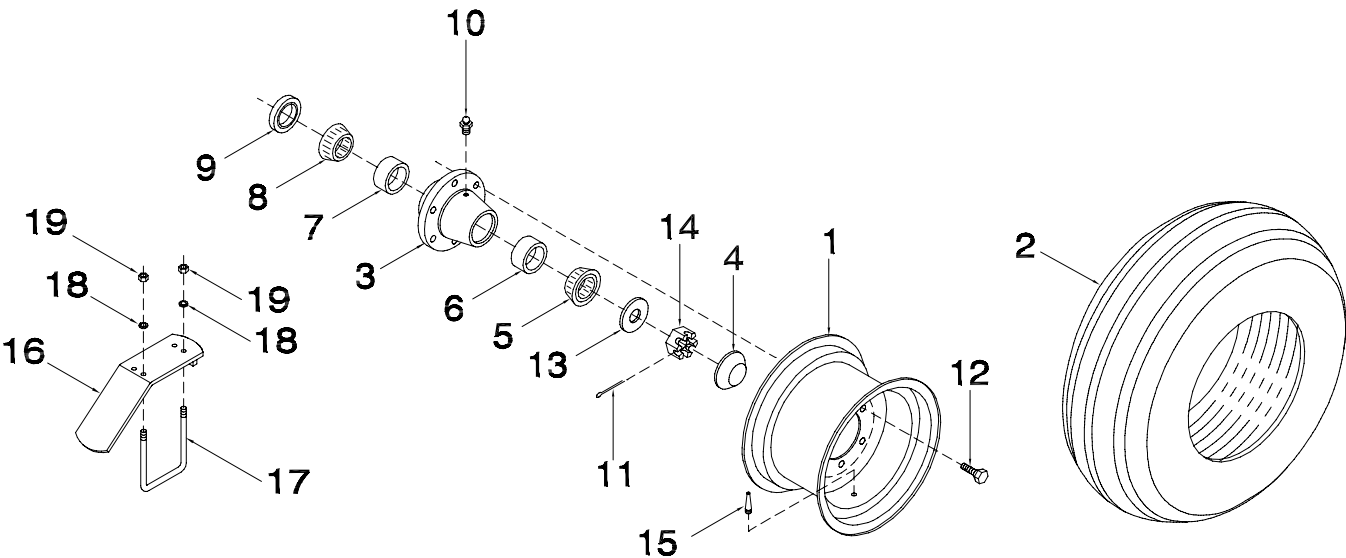
Item	Part No.	Description	Qty
1	H21480	Hitch Jack Assembly (Includes All Items Below)	1
2	C-5834	Pin & Chain Assembly	1
3	C-5832	Handle Assembly	1

Section 2: Wheels

Section Contents

Wheels & Tires Assemblies.....	2-2
--------------------------------	-----

Wheels Wheels & Tires Assemblies



Wheels - Wheel s & Tires Assemblies

Item	Part No.	Description	Qty
1	C-1473	6 Bolt Wheel - 15" x 8"	1
2	K-5688	11 x 15 Fl (8 Ply) Rib	1
3	C-1463	Heavy Duty Hub (Includes Items 6, 7 & 10)	1
4	C-1522	Dust Cap	1
5	W-1474	Outer Wheel Bearing	1
6	W-1537	Outer Bearing Cup	1
7	W-1538	Inner Bearing Cup	1
8	W-1475	Inner Wheel Bearing	1
9	C-1521	Seal	1
10	S-752	Grease Zerk - 1/4" Npt Straight	1
11	W-1416	Cotter Pin - 3/16" x 1 1/2"	1
12	W-1383	Wheel Stud Bolt - 9/16" x 1 11/16"	6
13	C-3258	Washer - 2" OD x 1 1/16" ID x 3/16"	1
14	S-1311	Slotted Nut - 1" SAE.....	1
15	C17348	Valve Stem	1
Wing Frame			
1	W-86	4 Bolt Wheel - 15" x 5"	1
2	C-739	6 Ply Imp Tire - 7.60 x 15	1
3	W-93	Hub Assembly (Includes Items 6, 7 & 10)	1
4	W-92	Dust Cap	1
5	W-87	Outer Wheel Bearing (Lm11949)	1
6	W-88	Outer Bearing Cup	1
7	W-90	Inner Bearing Cup	1
8	W-89	Inner Wheel Bearing (Lm67048)	1
9	W-91	Axle Seal	1
10	S-752	Grease Zerk - 1/4" Npt Straight	1
11	W-529	Cotter Pin - 1/8" x 1 1/4"	1
12	W-232	Wheel Stud Bolt - Sae	4
13	W-476	Axle Washer - 3/4" Sae	1
14	W-94	Axle Nut - 3/4" Sae Slotted	1
15	W-3329	Valve Stem	1
Mud Scraper			
16	H24238	Mud Scraper	2
17	H-4322	U-Bolt 1/2"	2
18	W-525	Lockwasher 1/2"	4
19	W-516	Nut - 1/2"	4
	H23097	Mud Scraper Kit (Includes Items 16-19) - Order Through Wholegoods Desk	

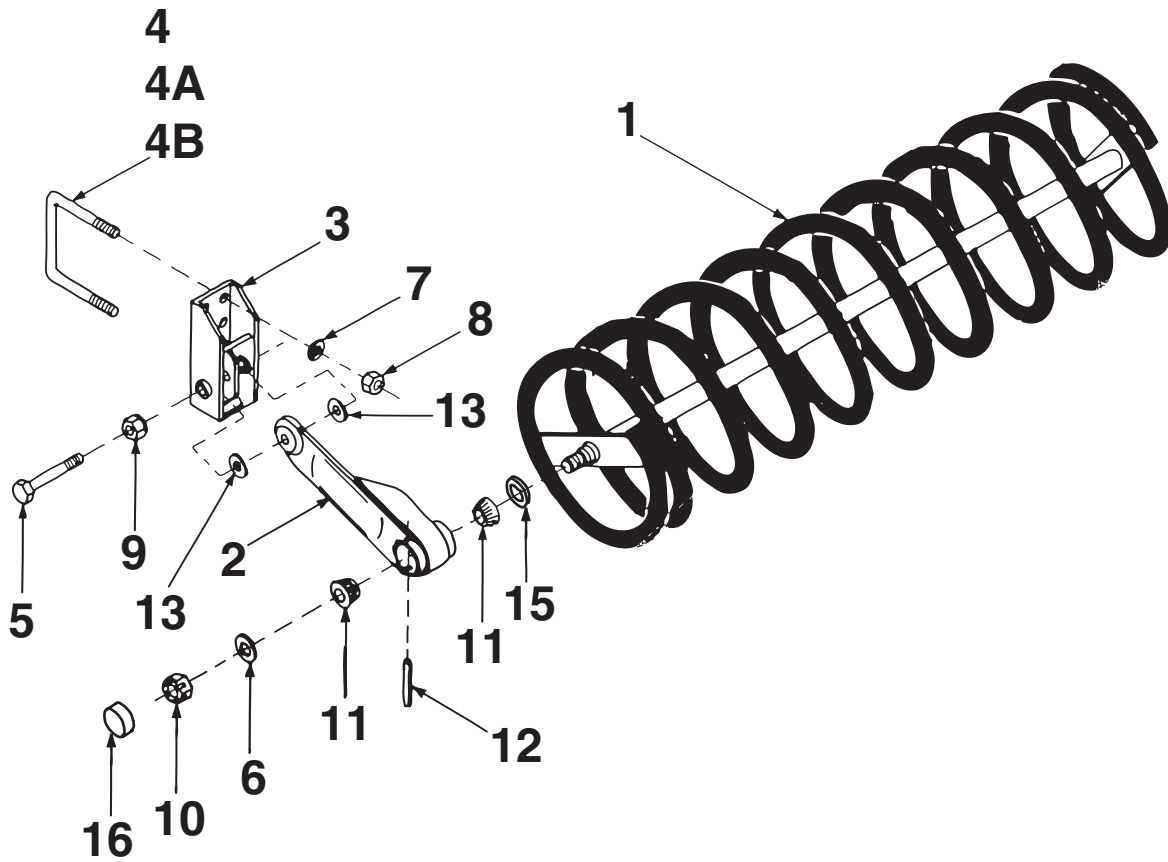
Notes

Section 3: Packers

Section Contents

Packer Coils	3-2
--------------------	-----

Packers Packer Coils



Packers - Packer Coils

Item	Part No.	Description	No. Used			
			36ft	38ft	41ft	43ft
1	H18123	Packer Coil - RH - 1.75"Sq x 54" Lg	2	3	1	1
1A	H18122	Packer Coil - LH - 1.75"Sq x 54" Lg	2	3	1	1
1B	H18128	Packer Coil - RH - 1.5"Sq x 54" Lg	2	3	1	1
1C	H18127	Packer Coil - LH - 1.5"Sq x 54" Lg	2	3	1	1
1D	H18182	Packer Coil - RH - 1.75"Sq x 43.75" Lg	1	0	2	3
1E	H18181	Packer Coil - LH - 1.75"Sq x 43.75" Lg	1	0	2	3
1F	H18180	Packer Coil - RH - 1.5"Sq x 43.75" Lg	1	0	2	3
1G	H18179	Packer Coil - LH - 1.5"Sq x 43.75" Lg	1	0	2	3
1H	H25819	Packer Coil - RH - 1.75"Sq x 31 3/4" Lg	0	0	1	0
1I	H25818	Packer Coil - LH - 1.75"Sq x 31 3/4" Lg	0	0	1	0
1J	H25821	Packer Coil - RH - 1.5"Sq x 31 3/4" Lg	0	0	1	0
1K	H25820	Packer Coil - LH - 1.5"Sq x 31 3/4" Lg	0	0	1	0
2	H18141	Packer Arm - Weldment	12	12	16	16
	H18243	Ball Joint	12	12	16	16
3	H21418	Packer Arm Clevis	7	7	9	9
4	H21437	U-Bolt - 1/2" Dia x 6" x 8"	14	14	18	18
4A	H21351	U-Bolt - 1/2" Dia x 6" x 4" (On Main Frame)	6	6	6	6
4B	H21696	U-Bolt - 1/2" Dia x 4" x 6" (For Use W/O Harrows)	8	8	8	8
5	C12414	Bolt - 5/8" x 5 1/2" Lg (Special 3/4" Lg Thread)	6	6	8	8
6	H24275	Flat Washer - 1 3/4"	12	12	16	16
7	W-525	Lockwasher - 1/2"	28	28	36	36
8	W-516	Hex Nut - 1/2"	28	28	36	36
9	C17295	Locknut - 5/8" Nylon Insert	6	6	8	8
10	S-1311	Slotted Hex Nut - 1"	12	12	16	16
11	H18249	Tapered Bearing With Cup - Used on models without Dust Cap & Seal Conversion to use Dust Cap and Seal when bearing H18249 fails is recommended.	24	24	32	32
	W-89	Bearing Cone - Inner #LM67048 - Used with Dust Cap & Seal	24	24	32	32
	W-90	Bearing Cup - Inner #LM67010 - Used with Dust Cap & Seal	24	24	32	32
12	C-3245	Spring Pin Coiled	12	12	16	16
13	W-540	Flat Washer - 11/16" ID x 1 3/4" OD	14	14	18	18
14	S-752	Grease Zerk - 1/4" (Not Shown)	12	12	16	16
15	C44048	Seal - 1.75 Shaft	12	12	16	16
16	N44039	Dust Cap	12	12	16	16
	A18118	1 3/4" x 58 7/8" Lg For 54" Lg Packer Coil				
	A18174	1 3/4" x 48 5/8" Lg For 43.75" Lg Packer Coil				
	A25662	1 3/4" x 36 5/8" Lg For 31.75" Lg Packer Coil				

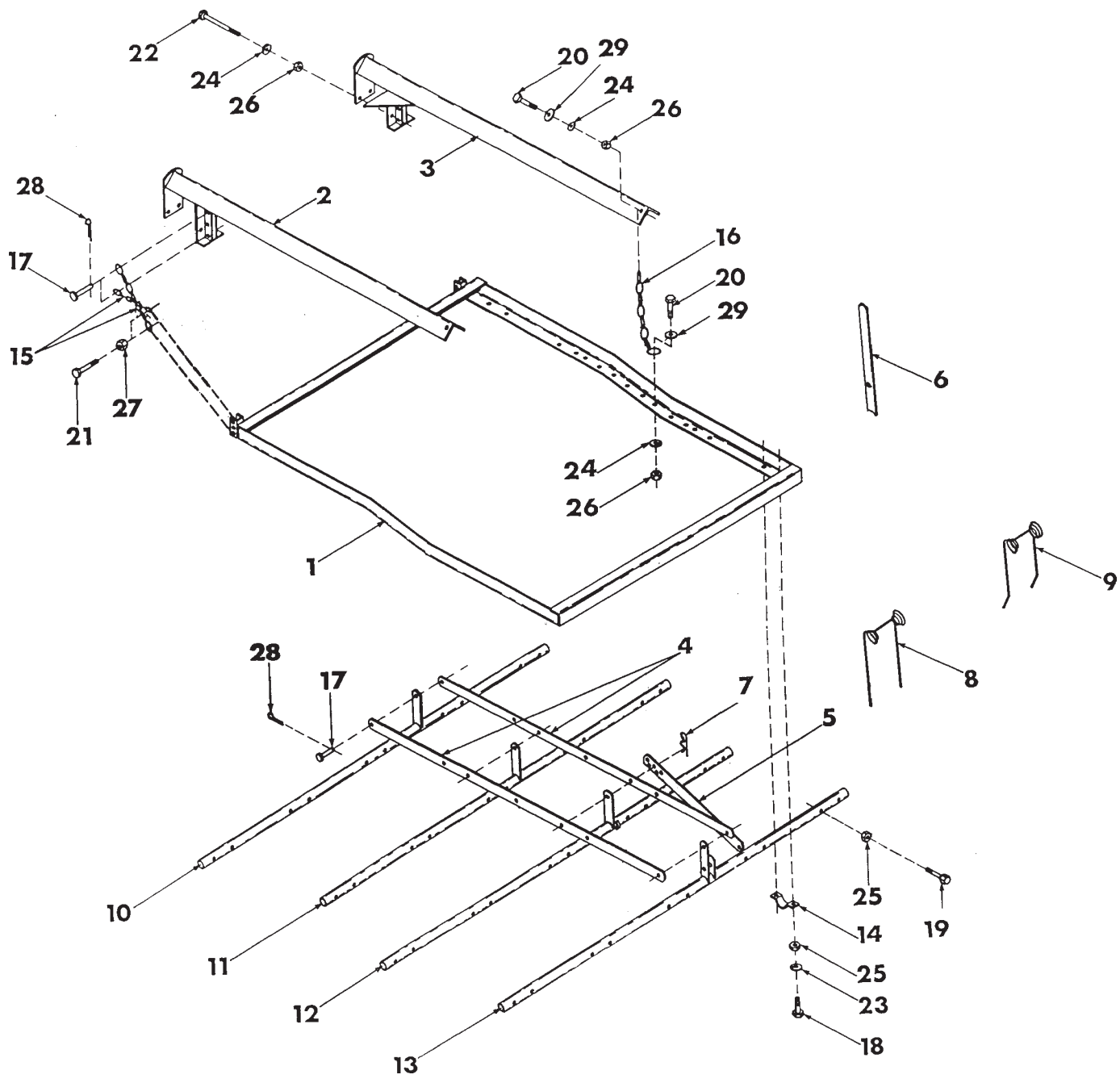
Notes

Section 4: Harrow Assemblies

Section Contents

4 Bar - 60 Inch	4-2
4 Bar - 75 Inch	4-4
5 Bar - 60 Inch	4-6
5 Bar - 75 Inch	4-8

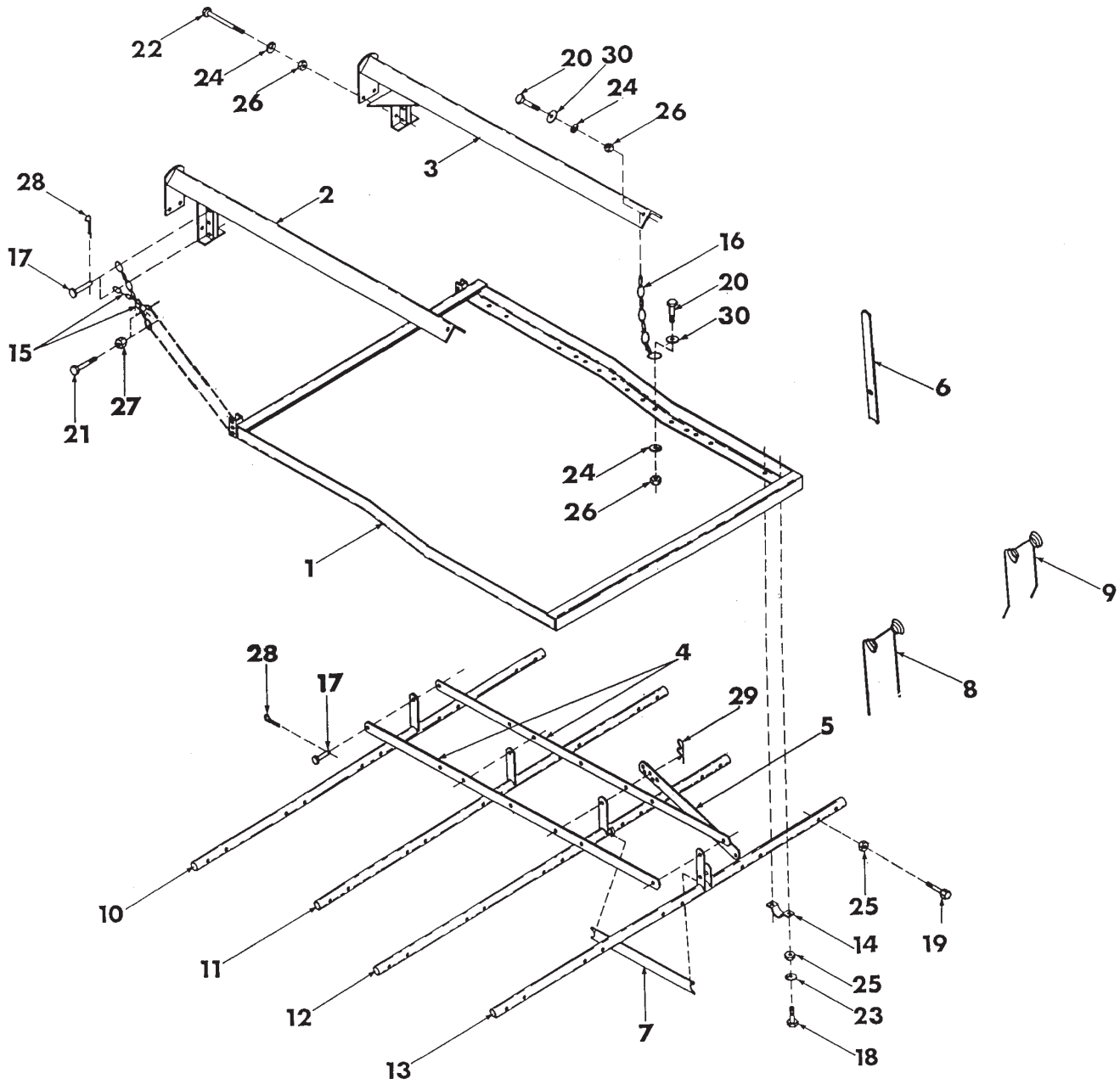
Harrows 4 Bar - 60 Inch



Harrows - 4 Bar - 60 Inch

Item	Part No.	Description	Qty
1	H18102	Harrow Carrier Frame	1
2	H17038	Harrow Carrier Arm (Qty 2 On Main Frame)	1
3	H21404	Harrow Arm Right (Used On Right Wing Only)	1
3A	H21405	Harrow Arm Right (Used On Left Wing Only)	1
4	H17413	Connecting Strap	2
5	H18112	Adjusting Strap	1
6	H18677	Harrow Adjusting Arm (Qty 1 Per Machine)	1
7	W-131	Hair Pin - #9	1
8	H18100	Harrow Tine Straight	16
9	H18286	Harrow Tine Bent	16
10	H18110	Carrier Pipe	1
11	H18106	Carrier Pipe	1
12	H18108	Carrier Pipe	1
13	H18732	Carrier Pipe	1
14	H-1593	Clamp	8
15	H28580	Chain - Pull 7 Links	4
16	H28585	Chain - Lift 9 Links	2
17	BW-8	Pin - 1/2" x 1 1/32" U Lg	9
18	W-475	Hex Bolt - 3/8" x 1" Lg	16
19	H-3024	Special Hex Bolt - 3/8" x 2" Lg	32
20	S-776	Hex Bolt - 1/2" x 1 1/2" Lg	4
21	W-489	Hex Bolt - 1/2" x 2 1/4" Lg	4
22	C-883	Hex Bolt - 1/2" x 7" Lg	4
23	W-523	Lockwasher - 3/8"	16
24	W-525	Lockwasher - 1/2"	8
25	W-514	Hex Nut - 3/8"	48
26	W-516	Hex Nut - 1/2"	8
27	F-3405	Lock Nut - 1/2"	4
28	W-530	Cotter Pin - 0.156" x 1" Lg	9
29	C-333	Flatwasher - 1/2" ID x 1 1/2" OD	4
		Assembly Quantities Used Per Machine	
		36 Foot Rangler III	6
		38 Foot Rangler III	5
		41 Foot Rangler III	3
		43 Foot Rangler III	1

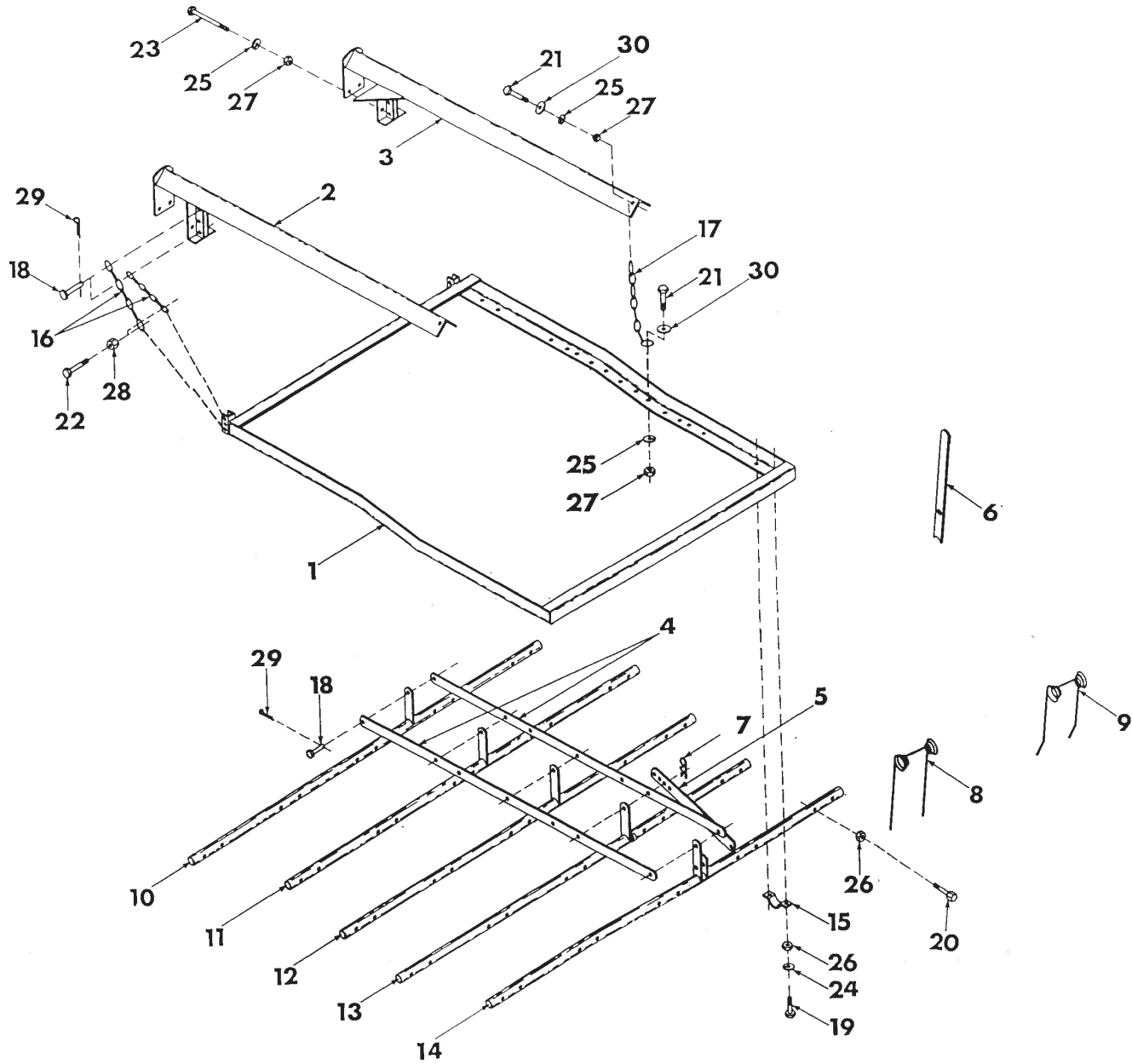
Harrows 4 Bar - 75 Inch



Harrows - 4 Bar - 75 Inch

Item	Part No.	Description	Qty
1	H21401	Harrow Carrier Frame	1
2	H17038	Harrow Carrier Arm (Qty 2 On Main Frame)	1
3	H21404	Harrow Arm Right (Used On Right Wing Only)	1
3A	H21405	Harrow Arm Right (Used On Left Wing Only)	1
4	H17413	Connecting Strap	2
5	H18112	Adjusting Strap	1
6	H18677	Harrow Adjusting Arm	1
7	H21666	Support Plate	1
8	H18100	Harrow Tine Straight	20
9	H18286	Harrow Tine Bent	20
10	H21398	Carrier Pipe	1
11	H21397	Carrier Pipe	1
12	H21395	Carrier Pipe	1
13	H21394	Carrier Pipe	1
14	H-1593	Clamp	8
15	H28580	Chain - Pull 7 Links	4
16	H28585	Chain - Lift 9 Links	2
17	BW-8	Pin - 1/2" x 1 1/32" U Lg	9
18	W-475	Hex Bolt - 3/8" x 1" Lg	16
19	H-3024	Special Hex Bolt - 3/8" x 2" Lg	40
20	S-776	Hex Bolt - 1/2" x 1 1/2" Lg	4
21	W-489	Hex Bolt - 1/2" x 2 1/4" Lg	4
22	C-883	Hex Bolt - 1/2" x 7" Lg	4
23	W-523	Lockwasher - 3/8"	16
24	W-525	Lockwasher - 1/2"	8
25	W-514	Hex Nut - 3/8"	56
26	W-516	Hex Nut - 1/2"	8
27	F-3405	Lock Nut - 1/2"	4
28	W-530	Cotter Pin - 0.156" x 1" Lg	9
29	W-131	Hair Pin - #9	1
30	C-333	Flatwasher - 1/2" ID x 1 1/2" OD	4
		 Assembly Quantities Used Per Machine	
		36 Foot Rangler III	1
		38 Foot Rangler III	2
		41 Foot Rangler III	4
		43 Foot Rangler III	6
		43 Foot Rangler III	6

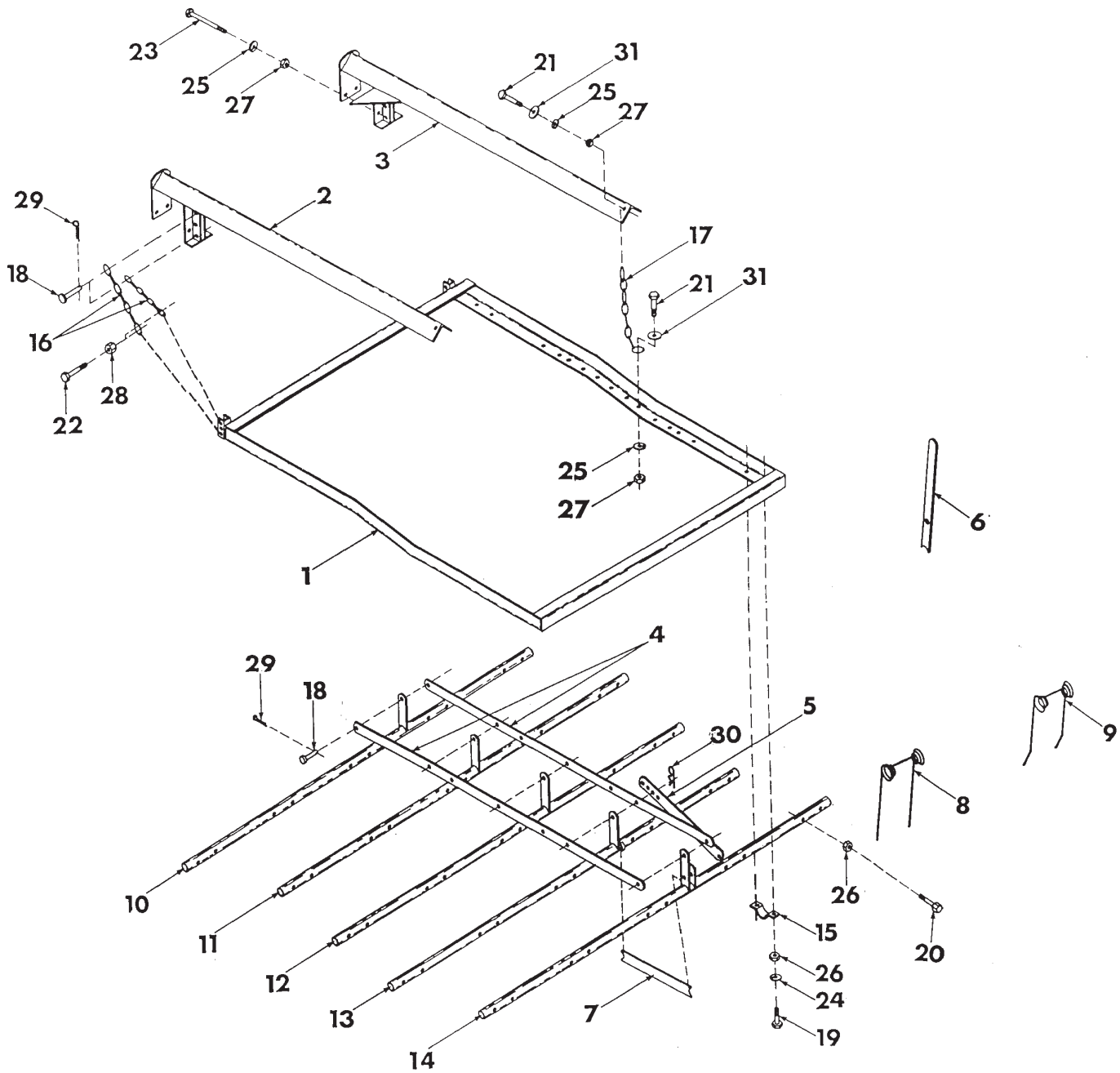
Harrows 5 Bar - 60 Inch



Harrows - 5 Bar - 60 Inch

Item	Part No.	Description	Qty
1	H18102	Harrow Carrier Frame	1
2	H17038	Harrow Carrier Arm (Qty 2 On Main Frame)	1
3	H21404	Harrow Arm Right (Used On Right Wing Only)	1
3A	H21405	Harrow Arm Right (Used On Left Wing Only)	1
4	H17413	Connecting Strap	2
5	H18113	Adjusting Strap	1
6	H18677	Harrow Adjusting Arm (Qty 1 Per Machine)	1
7	W-131	Hair Pin - #9	1
8	H18100	Harrow Tine Straight	20
9	H18286	Harrow Tine Bent	20
10	H18111	Carrier Pipe	1
11	H18110	Carrier Pipe	1
12	H18109	Carrier Pipe	1
13	H18108	Carrier Pipe	1
14	H18732	Carrier Pipe	1
15	H-1593	Clamp	10
16	H28580	Chain - Pull 7 Links	4
17	H28585	Chain - Lift 8 Links	2
18	BW-8	Pin - 1/2" x 1 1/32" U Lg	10
19	W-475	Hex Bolt - 3/8" x 1" Lg	20
20	H-3024	Special Hex Bolt - 3/8" x 2" Lg	40
21	S-776	Hex Bolt - 1/2" x 1 1/2" Lg	4
22	W-489	Hex Bolt - 1/2" x 2 1/4" Lg	4
23	C-883	Hex Bolt - 1/2" x 7" Lg	4
24	W-523	Lockwasher - 3/8"	20
25	W-525	Lockwasher - 1/2"	8
26	W-514	Hex Nut - 3/8"	60
27	W-516	Hex Nut - 1/2"	8
28	F-3405	Lock Nut - 1/2"	4
29	W-530	Cotter Pin - 0.156" x 1" Lg	10
30	C-333	Flatwasher - 1/2" ID x 1 1/2" OD	4
		 Assembly Quantities Used Per Machine	
		36 Foot Rangler III	6
		38 Foot Rangler III	5
		41 Foot Rangler III	3
		43 Foot Rangler III	1

Harrows 5 Bar - 75 Inch



Harrows - 5 Bar - 75 Inch

Item	Part No.	Description	Qty
1	H21401	Harrow Carrier Frame	1
2	H17038	Harrow Carrier Arm (Qty 2 On Main Frame)	1
3	H21404	Harrow Arm Right (Used On Right Wing Only)	1
3A	H21405	Harrow Arm Right (Used On Left Wing Only)	1
4	H17413	Connecting Strap	2
5	H18113	Adjusting Strap	1
6	H18677	Harrow Adjusting Arm	1
7	H21635	Support Plate	1
8	H18100	Harrow Tine Straight	25
9	H18286	Harrow Tine Bent	25
10	H21400	Carrier Pipe	1
11	H21398	Carrier Pipe	1
12	H21399	Carrier Pipe	1
13	H21395	Carrier Pipe	1
14	H21394	Carrier Pipe	1
15	H-1593	Clamp	10
16	H28580	Chain - Pull 7 Links	4
17	H28585	Chain - Lift 8 Links	2
18	BW-8	Pin - 1/2" x 1 1/32" U Lg	10
19	W-475	Hex Bolt - 3/8" x 1" Lg	20
20	H-3024	Special Hex Bolt - 3/8" x 2" Lg	50
21	S-776	Hex Bolt - 1/2" x 1 1/2" Lg	4
22	W-489	Hex Bolt - 1/2" x 2 1/4" Lg	4
23	C-883	Hex Bolt - 1/2" x 7" Lg	4
24	W-523	Lockwasher - 3/8"	20
25	W-525	Lockwasher - 1/2"	8
26	W-514	Hex Nut - 3/8"	70
27	W-516	Hex Nut - 1/2"	8
28	F-3405	Lock Nut - 1/2"	4
29	W-530	Cotter Pin - 0.156" x 1" Lg	10
30	W-131	Hair Pin - #9	1
31	C-333	Flatwasher - 1/2" ID x 1 1/2" OD	4
		 Assembly Quantities Used Per Machine	
		36 Foot Rangler III	1
		38 Foot Rangler III	2
		41 Foot Rangler III	4
		43 Foot Rangler III	6

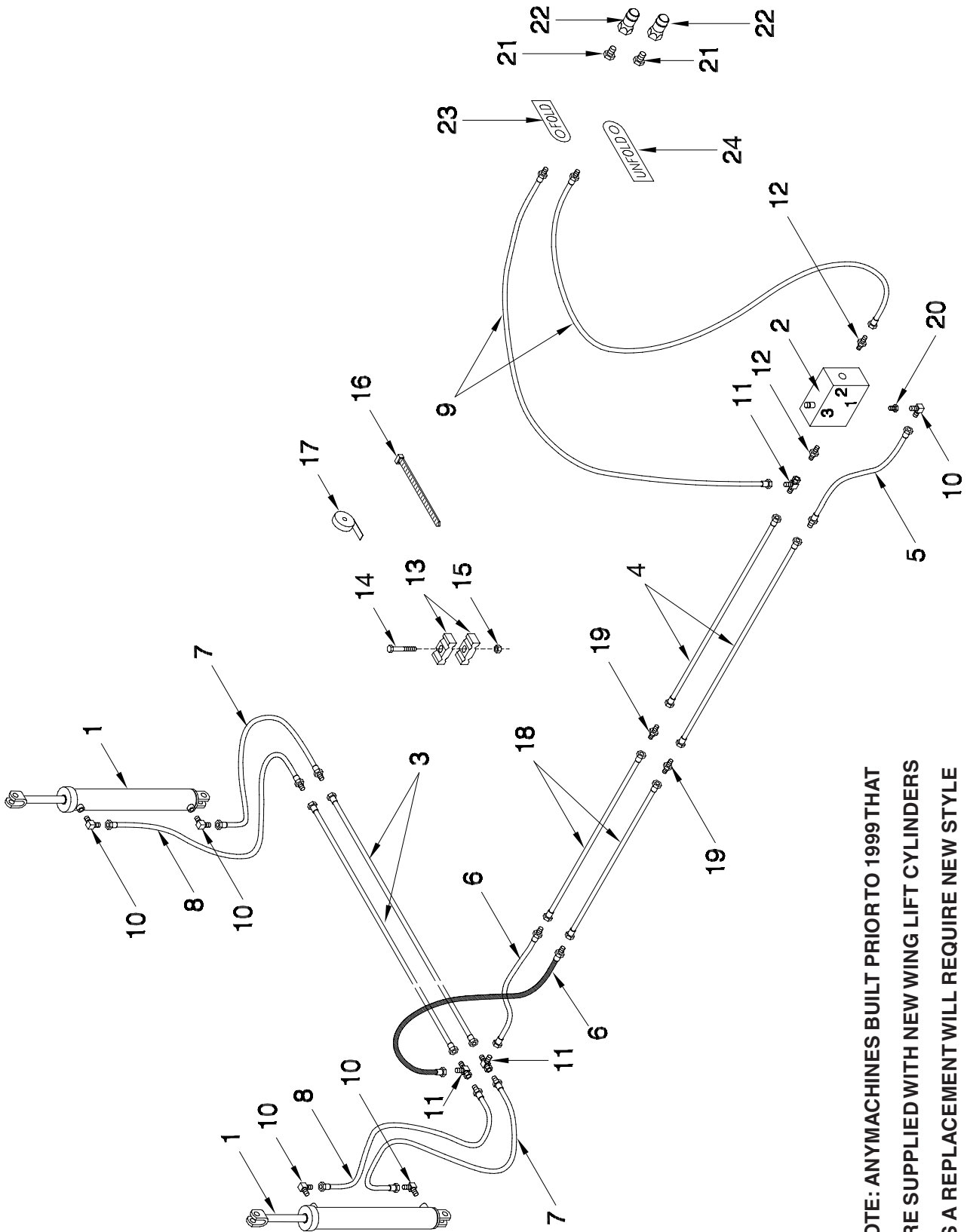
Notes

Section 5: Hydraulics

Section Contents

Main Hydraulic System	5-2
Valve kit for 5 Frame Cultivators	5-4
Air Cart Hydraulic Hose Extension Kit	5-6
Concept 2000 Hydraulic Hose Extension Kit Tow Between Cart.....	5-8
Hydraulic Cylinder	5-9

Hydraulics Main Hydraulic System



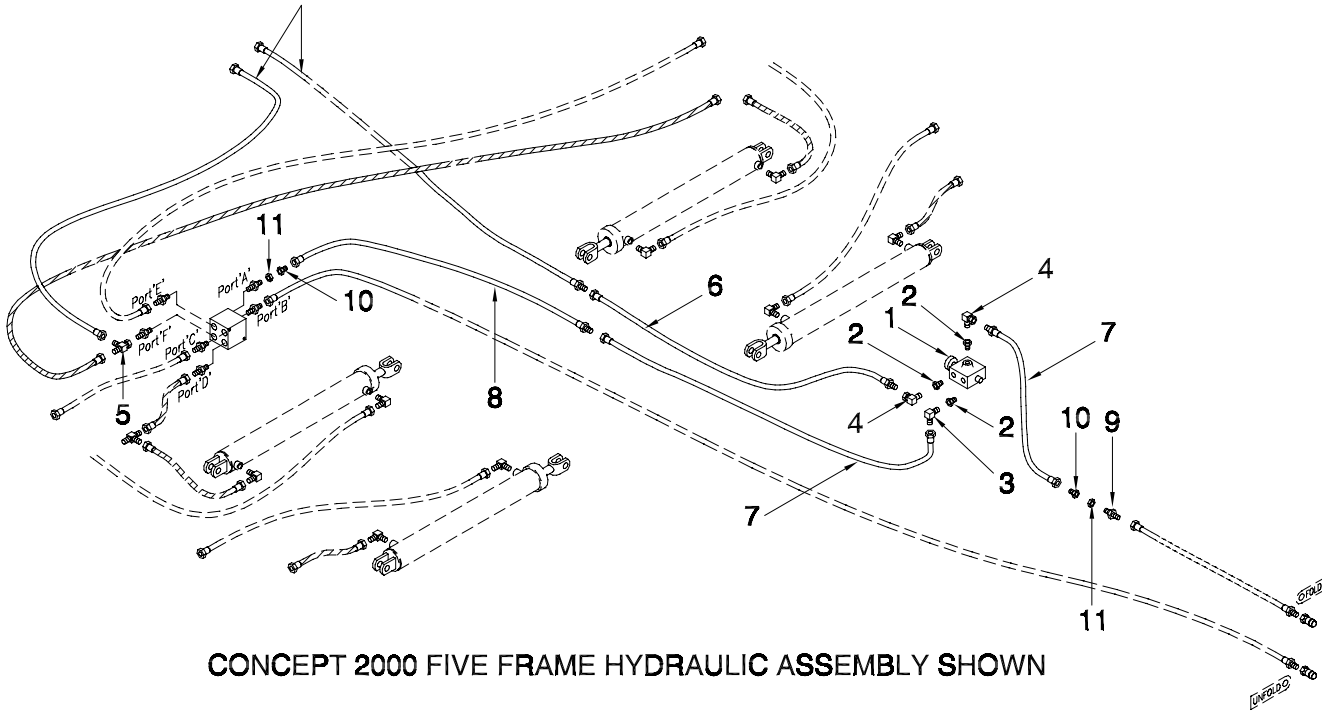
NOTE: ANY MACHINES BUILT PRIOR TO 1999 THAT ARE SUPPLIED WITH NEW WING LIFT CYLINDERS AS A REPLACEMENT WILL REQUIRE NEW STYLE H21161 WING LIFT LOCK ARMS.

Hydraulics - Main Hydraulic System

Item	Part No.	Description	Qty
Standard Hitch			
1	C-2198	Cylinder - 4 1/2 x 30	2
2	H24653	Pressure Reducing Valve	1
3	C-4357	Oil Line - 3/8 x 130 1/2 Lg w/ 9/16-18 FJIC	2
4	H18971	Oil Line - 3/8 x 117 Lg w/ 9/16-18 FJIC	2
5	C-4378	Hyd Hose - 1/4 x 16 Lg w/9/16-18 FJIC	1
6	F-4561	Hyd Hose - 1/4 x 24 Lg w/9/16-18 FJIC x 9/16-18 MJIC	2
7	F11010	Hyd Hose - 1/4 x 60 Lg w/9/16-18 FJIC x 9/16-18 MJIC	2
8	C16653	Hyd Hose - 1/4 x 80 Lg w/9/16-18 MJIC x 9/16-18 FJIC	2
9	C15312	Hyd Hose - 1/4 x 120 Lg w/9/16-18 FJIC x 3/8 MNPT	2
10	F-3864	90 Elbow - 9/16-18 MJIC x 1/4 MNPT	5
11	C-4403	Tee - (2) 9/16-18 MJIC x (1) 9/16-18 FJIC	3
12	C-4405	Connector - 9/16-18 MJIC x 3/8 MNPT	2
13	C-4698	Nylon Oil Line Clamp	16
14	W-479	Hex Bolt - 3/8 x 2 1/4	8
15	M-3388	Locknut - 3/8	8
16	D-4838	Tie Strap	2
17	W-3022	Teflon Tape	1
20	C-679	Connector - 3/8 MNPT x 1/4 FNPT	1
21	C-719	Connector - 1/2 MNPT x 3/8 FNPT	2
22	C-817	Male Pioneer Tip - 1/2 FNPT	2
23	S29960	Tag - Wing Lift - FOLD	1
24	S29962	Tag - Wing Lift - UNFOLD	1
Optional Long Hitch			
1	C-2198	Cylinder - 4 1/2 x 30	2
2	H24653	Pressure Reducing Valve	1
3	C-4357	Oil Line - 3/8 x 130 1/2 Lg w/ 9/16-18 FJIC	2
4	H18971	Oil Line - 3/8 x 117 Lg w/ 9/16-18 FJIC	2
5	C-4378	Hyd Hose - 1/4 x 16 Lg w/9/16-18 FJIC	1
6	F-4561	Hyd Hose - 1/4 x 24 Lg w/9/16-18 FJIC x 9/16-18 MJIC	2
7	F11010	Hyd Hose - 1/4 x 60 Lg w/9/16-18 FJIC x 9/16-18 MJIC	2
8	C16653	Hyd Hose - 1/4 x 80 Lg w/9/16-18 MJIC x 9/16-18 FJIC	2
9	C15312	Hyd Hose - 1/4 x 120 Lg w/9/16-18 FJIC x 3/8 MNPT	2
10	F-3864	90 Elbow - 9/16-18 MJIC x 1/4 MNPT	5
11	C-4403	Tee - (2) 9/16-18 MJIC x (1) 9/16-18 FJIC	3
12	C-4405	Connector - 9/16-18 MJIC x 3/8 MNPT	2
13	C-4698	Nylon Oil Line Clamp	20
14	W-479	Hex Bolt - 3/8 x 2 1/4	10
15	M-3388	Locknut - 3/8	10
16	D-4838	Tie Strap	2
17	W-3022	Teflon Tape	1
18	F-4558	Oil Line - 3/8 x 99 Lg w/ 9/16-18 FJIC	2
19	H18269	Connector - 9/16-18 MJIC	2
20	C-679	Connector - 3/8 MNPT x 1/4 FNPT	1
21	C-719	Connector - 1/2 MNPT x 3/8 FNPT	2
22	C-817	Male Pioneer Tip - 1/2 FNPT	2
23	S29960	Tag - Wing Lift - FOLD	1
24	S29962	Tag - Wing Lift - UNFOLD	1

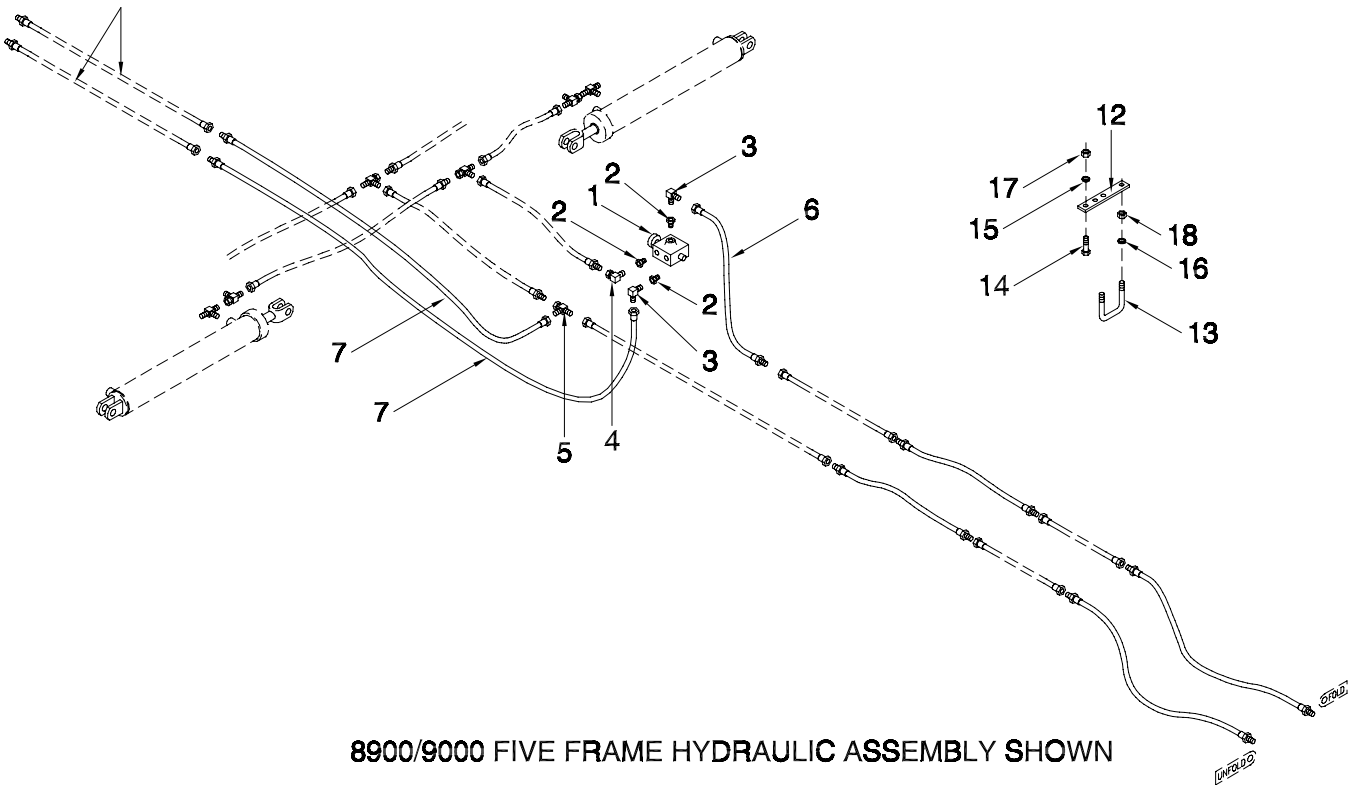
Hydraulics Valve kit for 5 Frame Cultivators

Use with kit H22779 for 6130/6180
 Use with kit H27842 for 7130/7180
 Use with kit H25645 for 6240/6300/7240/7300



CONCEPT 2000 FIVE FRAME HYDRAULIC ASSEMBLY SHOWN

Use with kit H22779 for 6130/6180
 Use with kit H27842 for 7130/7180
 Use with kit H25645 for 6240/6300/7240/7300

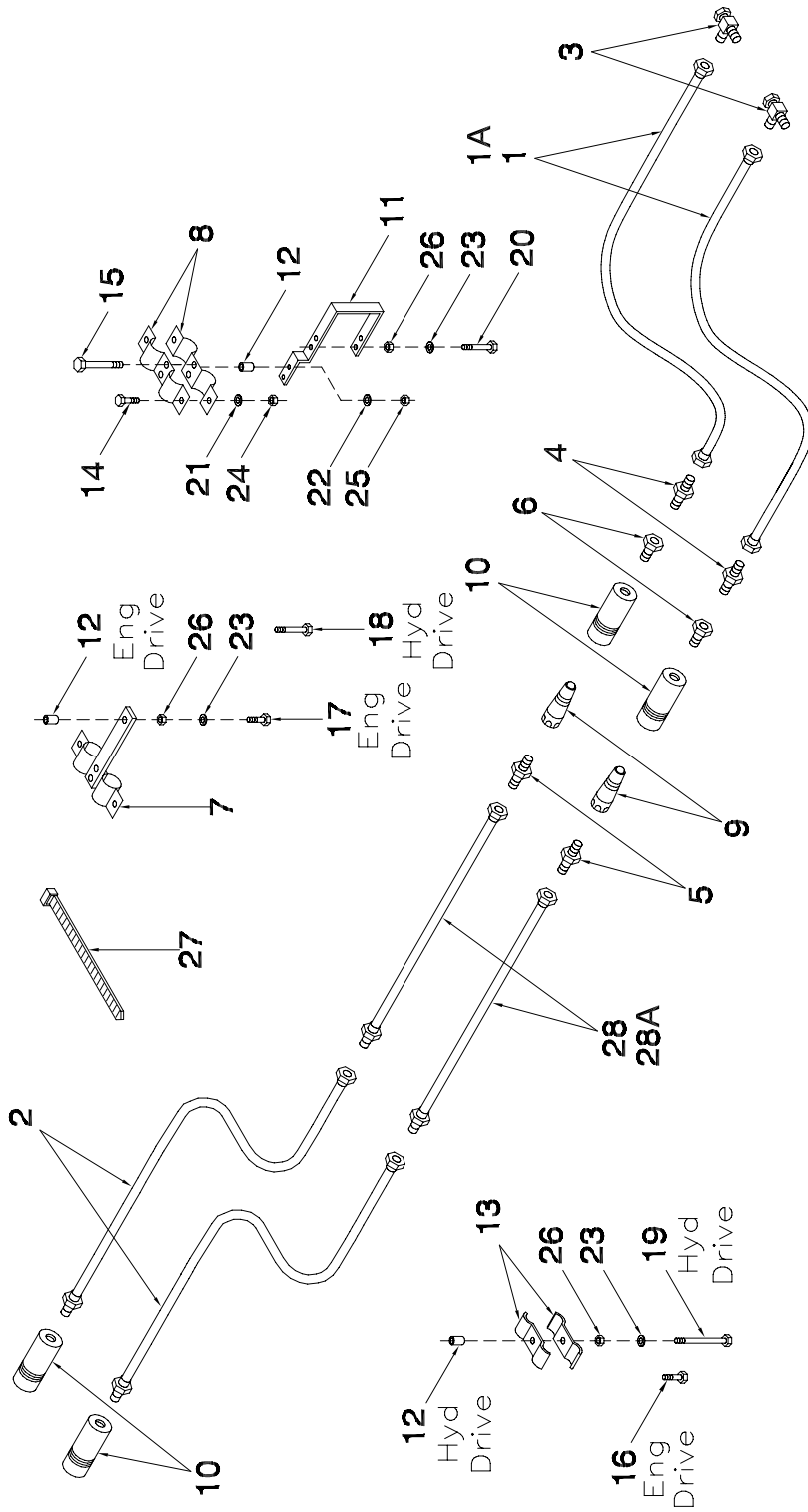


8900/9000 FIVE FRAME HYDRAULIC ASSEMBLY SHOWN

Hydraulics - Valve kit for 5 Frame Cultivators

Item	Part No.	Description	Qty
8900/9000 Series Cultivator			
1	S-4730	Selector Valve - 2 Way	1
2	C-686	Reducer - 1/2" Mnpt x 1/4" FNPT	3
3	F-3864	90 Elbow - 9/16" - 18" MJIC x 1/4" MNPT	2
4	F-3865	90 Elbow - Swivel - 9/16-18 FJIC x 1/4 MNPT	1
5	C-4403	Tee - (2) 9/16-18 MJIC x (1) 9/16-18 FJIC	1
6	C-4380	Hyd Hose - 1/4 x 36 Lg w/9/16-18 MJIC x 9/16-18 FJIC	1
7	C16653	Hyd Hose - 1/4 x 80 Lg w/9/16-18 MJIC x 9/16-18 FJIC	2
12	H24476	Mounting Plate	1
13	N15098	U-Bolt - 3/8" x 4 " x 5"	1
14	S-1303	Hex Bolt - 5/16" x 2" Lg	2
15	W-522	Lockwasher - 5/16"	2
16	W-523	Lockwasher - 3/8"	2
17	W-513	Hex Nut - 5/16"	2
18	W-514	Hex Nut - 3/8"	2
 Concept 2000 Cultivator			
1	S-4730	Selector Valve - 2 Way	1
2	C-686	Reducer - 1/2" MNPT x 1/4" FNPT	3
3	F-3864	90 Elbow - 9/16" - 18" MJIC x 1/4" MNPT	1
4	F-3865	90 Elbow - Swivel - 9/16-18 FJIC x 1/4 MNPT	2
5	C-4403	Swivel Tee - W/2 - 9/16" - 18 MJIC x 1 -9/16" - 18 FJIC	1
6	C-4380	Hyd Hose - 1/4 x 36 Lg w/9/16-18 MJIC x 9/16-18 FJIC	2
7	C16653	Hyd Hose - 1/4 x 80 Lg w/9/16-18 MJIC x 9/16-18 FJIC	1
8	W21963	Hyd Hose - 1/4 x 96 Lg w/9/16-18 MJIC x 9/16-18 FJIC	1
9	C-4469	Connector - 7/8-14 MJIC	1
10	C-4392	Connector - 7/8-14 FJIC x 9/16-18 MJIC	2
11	C-4391	Nut - 7/8-14 FJIC	2
12	H24476	Mounting Plate	1
13	N15098	U-Bolt - 3/8" x 4 " x 5"	1
14	S-1303	Hex Bolt - 5/16" x 2" Lg	2
15	W-522	Lockwasher - 5/16"	2
16	W-523	Lockwasher - 3/8"	2
17	W-513	Hex Nut - 5/16"	2
18	W-514	Hex Nut - 3/8"	2
	H23197	Hydraulic Valve Kit (Includes All Above Items) (Order Through Whole Goods Only)	

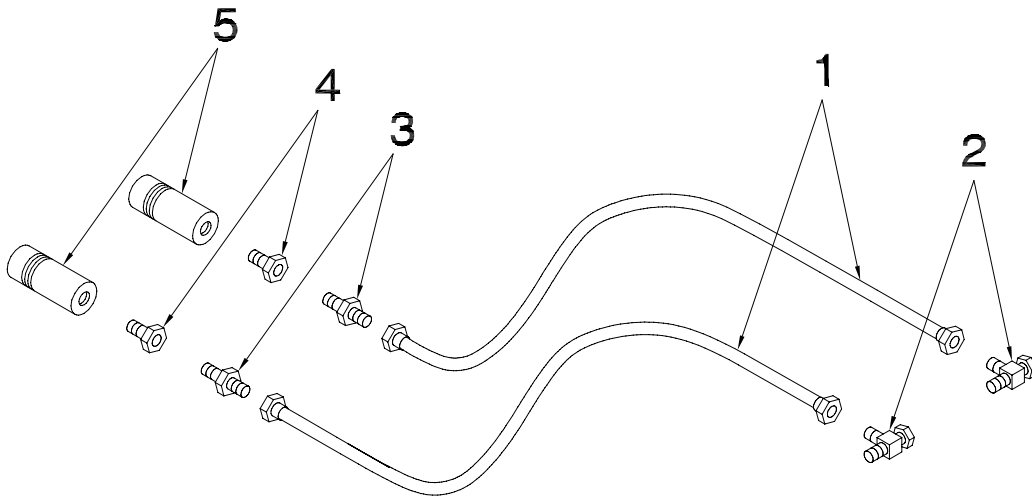
Hydraulics Air Cart Hydraulic Hose Extension Kit



Hydraulics - Air Cart Hydraulic Hose Extension Kit

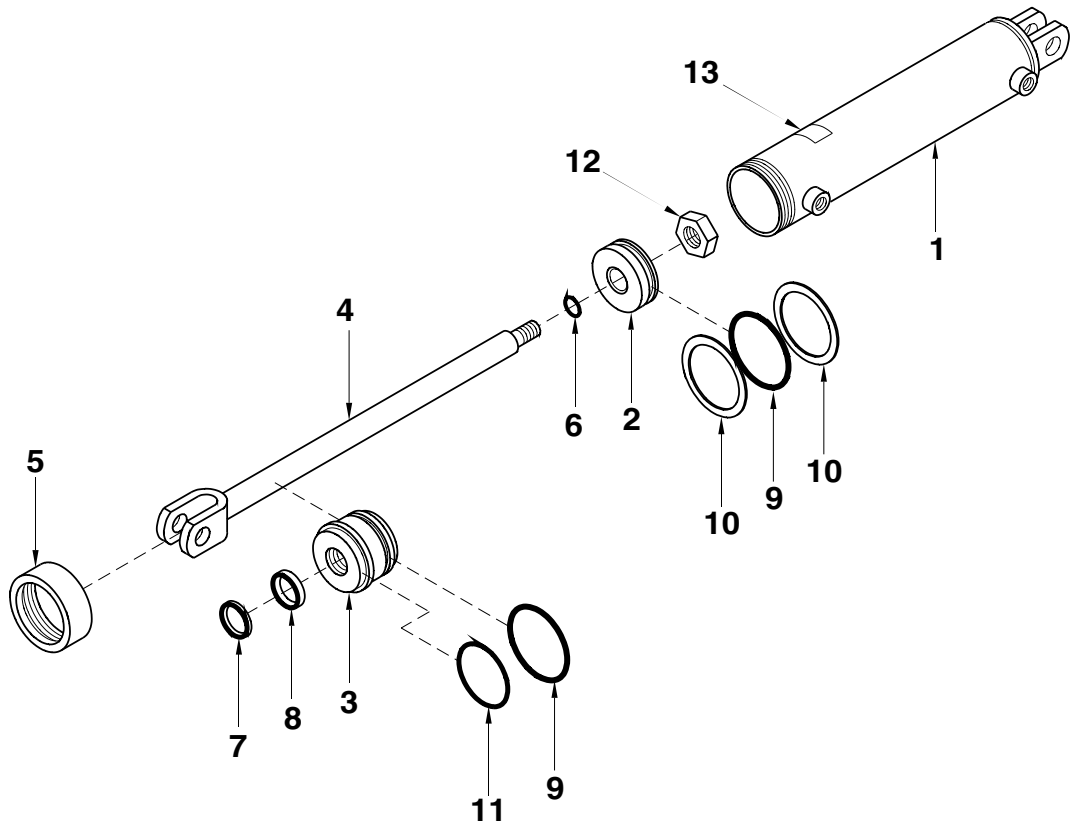
Item	Part No.	Description	Qty
1	C26339	Hyd Hose - 1/4 x 120 Lg w/9/16-18 FJIC	2
1A	H18267	Hyd Hose - 1/4 x 96 Lg w/9/16-18 FJIC	2
2	N15041	Hyd Hose - 1/2 x 293 Lg w/7/8-14 FJIC x 1/2 MNPT	2
3	C-4403	Tee - (2) 9/16-18 MJIC x (1) 9/16-18 FJIC	2
4	C-4405	Connector - 9/16-18 MJIC x 3/8 MNPT	2
5	C-4399	Connector - 7/8-14 MJIC x 1/2 MNPT	2
6	C-719	Connector - 1/2 MNPT x 3/8 FNPT	2
7	S-1379	Pioneer Coupler Assembly	1
8	N16608	Pioneer Clamp	2
9	C-817	Male Pioneer Tip - 1/2 FNPT	2
10	C-818	Female Pioneer Coupler - 1/2 FNPT	4
11	N21691	Mounting Bracket	1
12	N16257	Spacer	3
13	D-4808	Oil Line Clamp	2
14	W-469	Hex Bolt - 1/4" x 3/4"	2
15	W-473	Hex Bolt - 5/16" x 1 1/2"	2
16	W-187	Hex Bolt - 3/8" x 1 1/4"	1
17	W-619	Hex Bolt - 3/8" x 1 3/4"	1
18	D-5249	Hex Bolt - 3/8" x 3 1/4"	1
19	S-1299	Hex Bolt - 3/8" x 4 1/2"	1
20	C-3918	Hex Bolt - 3/8" x 5	1
21	W-521	Lockwasher - 1/4"	2
22	W-522	Lockwasher - 5/16"	2
23	W-523	Lockwasher - 3/8"	3
24	W-512	Hex Nut - 1/4"	2
25	W-513	Hex Nut - 5/16"	2
26	W-514	Hex Nut - 3/8"	3
27	D-4838	Tie Strap	6
28	C-4388	Hyd Hose - 1/2 x 48 Lg w/7/8-14 MJIC x 7/8-14 FJIC 7130 /7180	2
28A	F-5679	Hyd Hose - 1/2 x 96 Lg w/7/8-14 FJIC x 7/8-14 FJIC 6240 / 6300 / 7240 / 7300	2
	H22779	Kit - Hydraulic Extension - 6130 / 6180 (Includes All Items Except #28, 28A & 1)	
	H27842	Kit - Hydraulic Extension - 7130 / 7180 (Includes All Items Except #28A & 1A)	
	H25645	Kit - Hydraulic Extension - 6240/6300/7240/7300 (Includes All Items Except #28 & 1A)	

Hydraulics Concept 2000 Hydraulic Hose Extension Kit Tow Between Cart



Item	Part No.	Description	Qty
1	F14658	Hyd Hose - 1/4 x 150 Lg w/9/16-18 FJIC	2
2	C-4403	Tee - (2) 9/16-18 MJIC x (1) 9/16-18 FJIC	2
3	C-4405	Connector - 9/16-18 MJIC x 3/8 MNPT	2
4	C-719	Connector - 1/2 MNPT x 3/8 FNPT	2
5	C-818	Female Pioneer Coupler - 1/2 FNPT	2

Hydraulics Hydraulic Cylinder



Item	Part No.	Description	Qty
1	C-2196	Barrel - 4 1/2 x 30	1
2	C12836	Piston - 4 1/2 Dia - 1 Shaft	1
3	C-2154	Gland - 4 1/2 Dia - 1 3/4 Shaft	1
4	C32024	Cylinder Shaft - 1 3/4 Dia x 38 1/8	1
5	C-2155	Collar - 4 1/2 Cylinder	1
6	C13282	1 1/8 OD x 1/16 C/S 90D BUNA O-Ring	1
7	C-2136	1 3/4 ID x 3/16 C/S 90D URTW Wiper	1
8	C-2135	1 3/4 ID x 3/8 C/S 90D URTW U-Cup	1
9	C-2164	4 1/2 OD x 3/16 C/S 90D BUNA O-Ring	2
10	C15387	Backup Washer - 4 1/2 Dia - #346	2
11	C-2215	3 7/8 OD x 1/16 C/S 70A BUNA-N O-Ring	1
12	C13763	Locknut - 1-14 UNS Unitorque	1
13	C-2199	Part # Plate for C-2198	1
	C-2198	Cylinder Assembly (Includes All Above Items)	
	C12849	Seal Kit (Includes Items #6, 7, 8, 9, 10 & 11)	

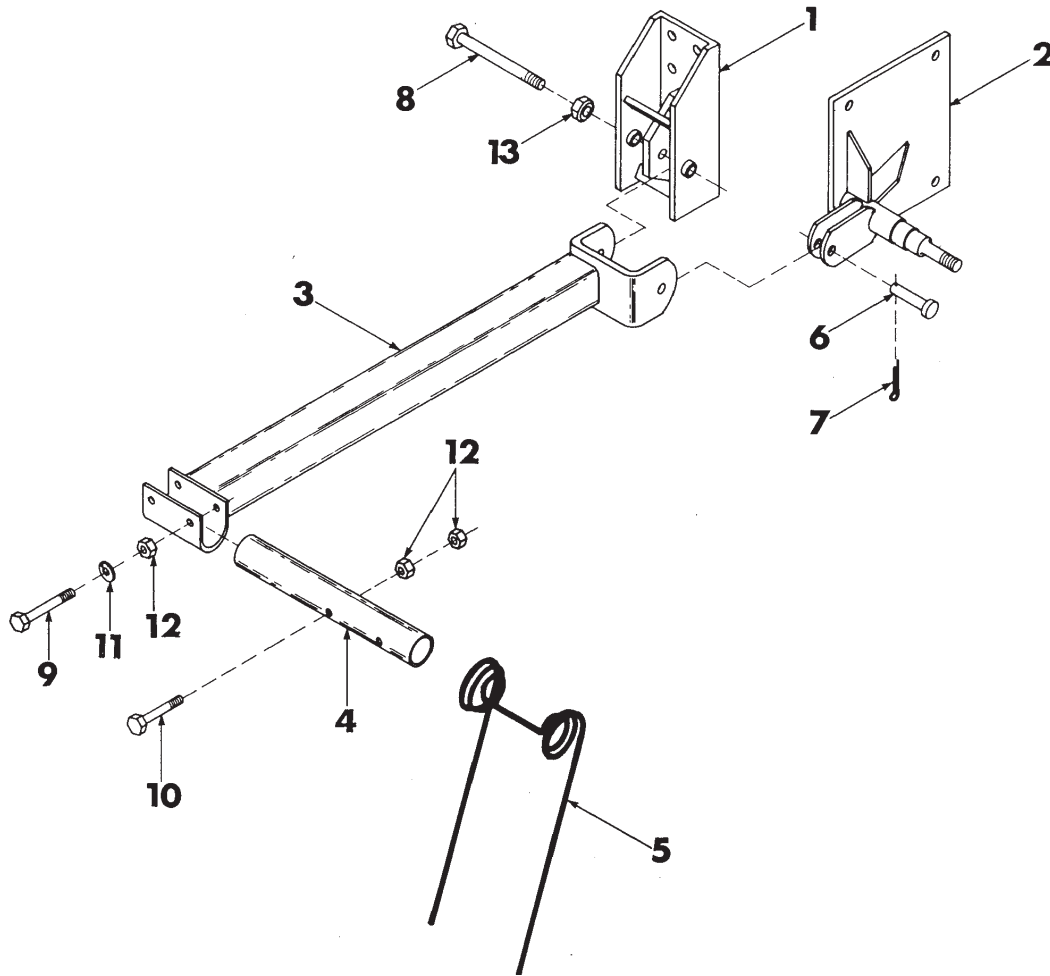
Notes

Section 6: Options

Section Contents

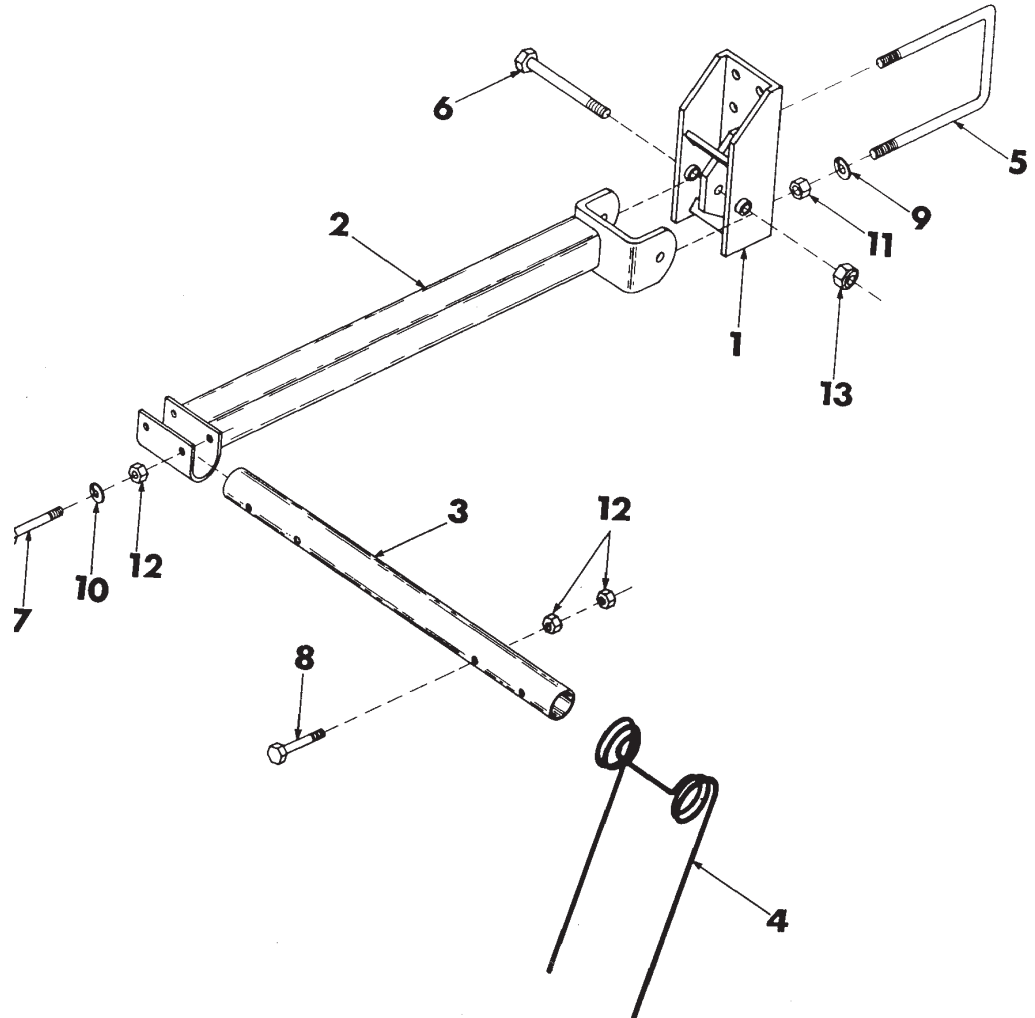
Single Track Eradicator	6-2
Dual Track Eradicator	6-3
Harrow Hold Down Kit	6-4
Cultivator Tow Hitch	6-5
Tow Hitch Concept 2000	6-6

Options Single Track Eradicator



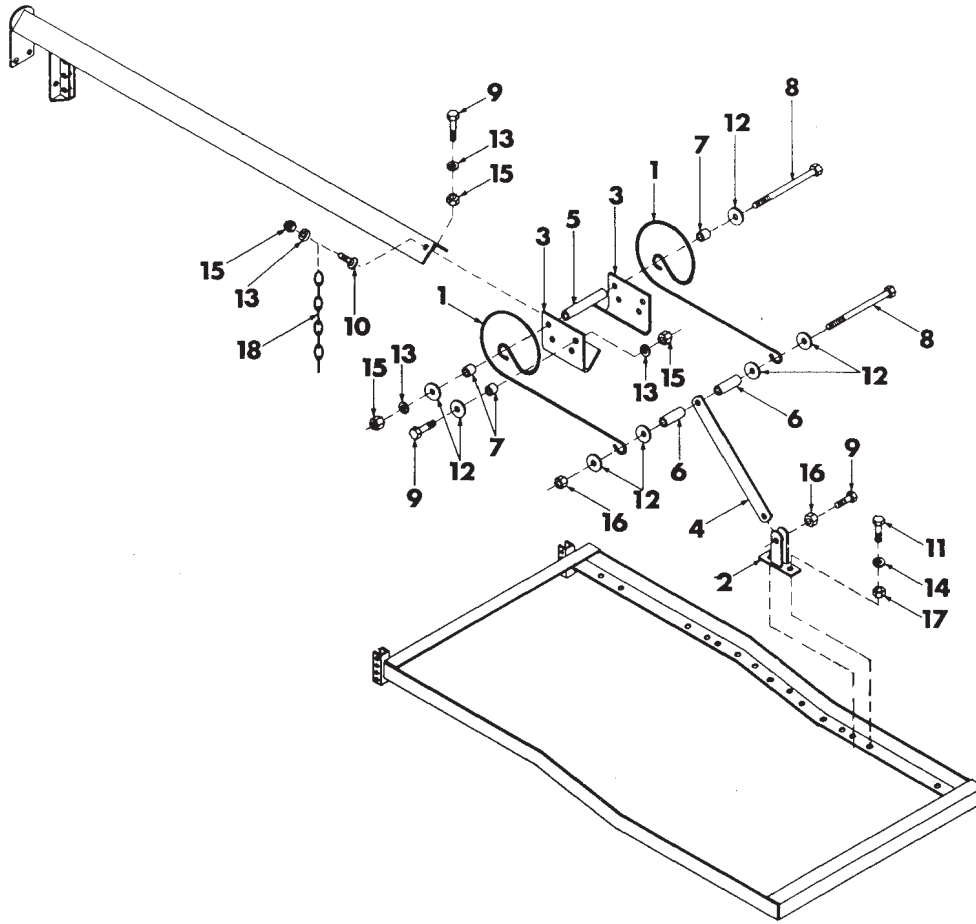
Item	Part No.	Description	Qty
1	H21418	Packer Pull Arm Clevis	1
2	H21421	Right End Wheel Axle	1
2A	H21422	Left End Wheel Axle	1
3	H21428	Eradicator Arm	1
4	H21425	Harrow Tine Pipe - 12"	1
5	H18100	Harrow Tine Straight	1
6	W-73	Clevis Pin - 5/8" x 2 1/8" Lg	1
7	W-532	Cotter Pin - 3/16" x 1 1/4"	1
8	C12414	Bolt Special - 5/8" x 5 1/2" Lg	1
9	W-480	Hex Bolt - 3/8" x 2 1/2" Lg	2
10	H-3024	Hex Bolt Special - 3/8" x 2 1/2" Lg	2
11	W-523	Lockwasher - 3/8"	2
12	W-514	Hex Nut - 3/8"	6
13	S-1197	Lock Nut - 5/8" - Uunitorque	1

Options Dual Track Eradicator



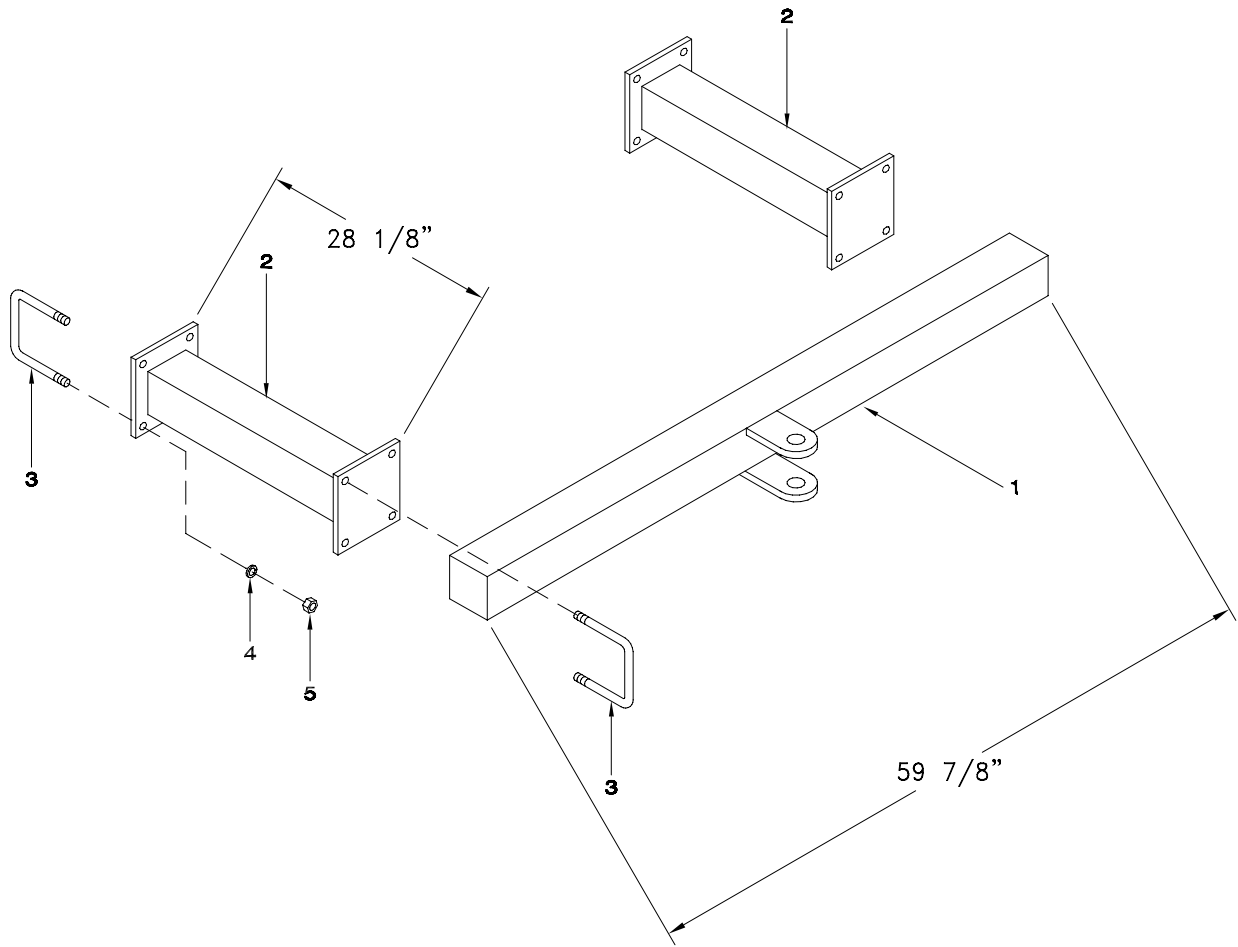
Item	Part No.	Description	Qty
1	H21418	Packer Pull Arm Clevis	1
2	H21428	Eradicator Arm	1
3	H21426	Harrow Tine Pipe - 12"	1
4	H18100	Harrow Tine Straight	2
5	H21696	U-Bolt - 1/2" x 4" x 6"	2
6	C-507	Hex Bolt - 5/8" x 6" Lg	1
7	W-480	Hex Bolt - 3/8" x 2 1/2"	2
8	H-3024	Hex Bolt Special - 3/8" x 2 1/2" Lg	4
9	W-525	Lockwasher - 1/2"	4
10	W-523	Lockwasher - 3/8"	2
11	W-516	Hex Nut - 1/2"	4
12	W-514	Hex Nut - 3/8"	10
13	S-1197	Lock Nut - 5/8" - Uunitorque	1

Options Harrow Hold Down Kit



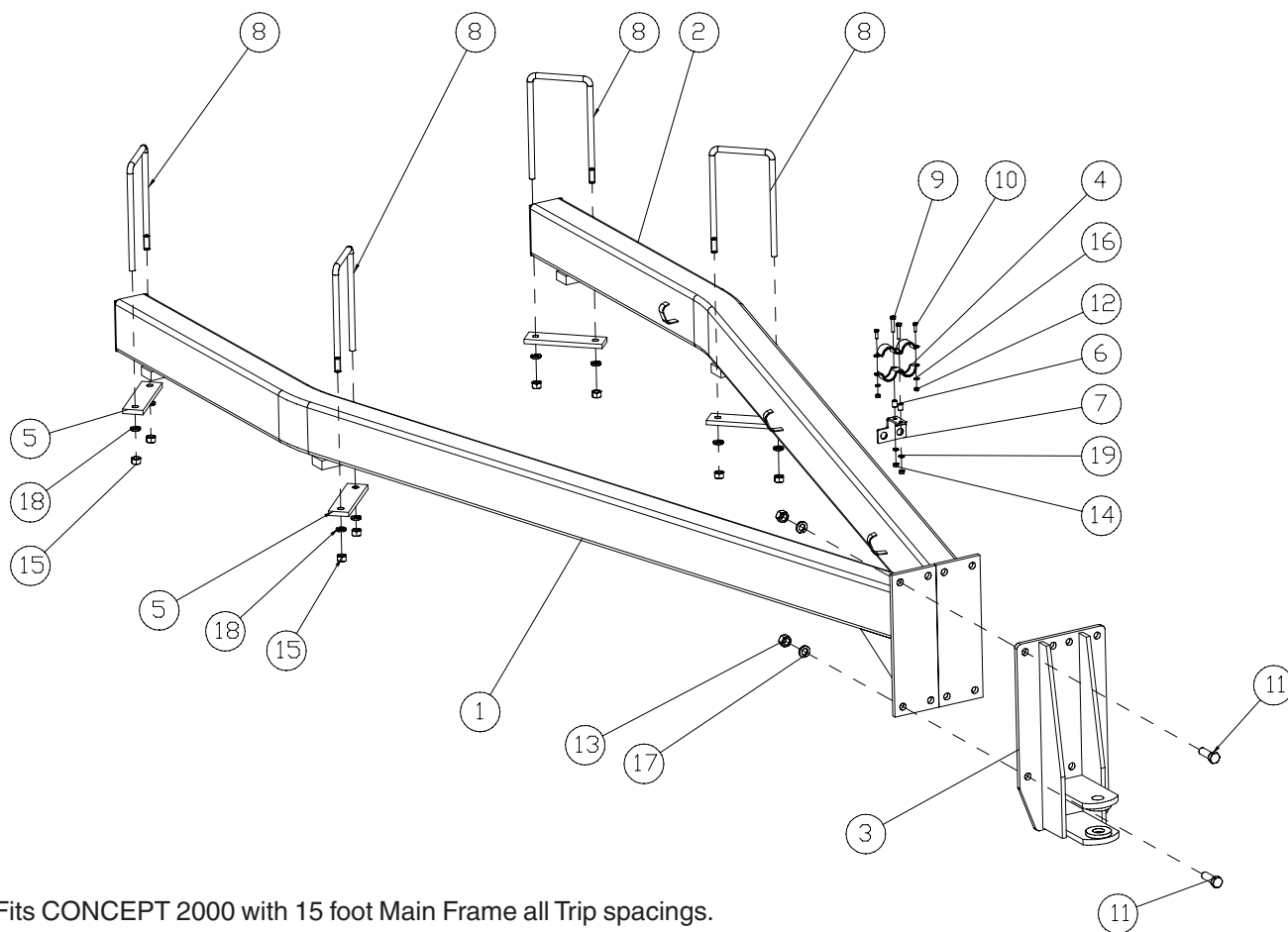
Item	Part No.	Description	Qty
1	H18972	Pressure Spring	4
2	H18978	Harrow Frame Bracket	2
3	H18979	Pressure Spring Bracket	4
4	H18973	Connecting Strap	2
4	H18974	Spacer Larger	2
5	H18975	Spacer Short	4
6	D13701	Bushing	8
8	C-883	Hex Head Bolt - 1/2" x 7" Lg	4
9	S-776	Hex Head Bolt - 1/2" x 1 1/2" Lg	8
10	H-4584	Carriage Bolt - 1/2" x 1 1/2" Lg	2
11	W-187	Hex Head Bolt - 3/8" x 1 1/4" Lg	4
12	W-539	Flat Washer - 0.563" ID x 1.375" OD x 12 GA	16
13	W-525	Lock Washer - 1/2"	10
14	W-523	Lock Washer - 3/8"	4
15	W-516	Hex Nut - 3/8"	4
16	F-3405	Locknut - 1/2"	4
17	W-514	Hex Nut - 3/8"	4
18	H28585	Lift Chain - 8 Links	2
	H20145	Harrow Hold Down Kit (Includes Items 1-17) Order Kits Through Parts Desk	

Options Cultivator Tow Hitch



Item	Part No.	Description	Qty
1	H24425	Hitch Clevis Tube	1
2	H24424	Hitch Tube	2
3	C-219	U-Bolt 5/8" x 4" x 5 9/16"	8
4	W-526	Lockwasher - 5/8"	16
5	W-517	Hex Nut - 5/8"	16
	H23100	Tow Hitch Kit (Includes All Above Items) (Order Through Whole Goods Only)	

Options Tow Hitch Concept 2000



Fits CONCEPT 2000 with 15 foot Main Frame all Trip spacings.

Item	Part No.	Description	Qty
1	C34801	Left Arm	1
2	C34802	Right Arm	1
3	C34833	Hitch Clevis	1
4	N16608	Coupler Clamp - Female Pioneer	2
5	C34839	Plate	4
6	N19366	Bushing - 1/2 Lg	2
7	C34843	Bracket	1
8	C34837	U-Bolt - 5/8 x 6 x 11-1/2	4
9	W-473	Hex Bolt - 5/16 x 1-1/2 Lg	2
10	W-469	Hex Head - 1/4 x 3/4 Lg	2
11	W-1553	Hex Head Bolt - 3/4 x 2 1/4 Lg	8
12	W-512	Hex Nut - 1/4	2
13	W-518	Hex Nut - 3/4	8
14	W-513	Hex Nut - 5/16	2
15	W-517	Hex Nut - 5/8	8
16	W-521	Lockwasher - 1/4	2
17	W-527	Lockwasher - 3/4	8
18	W-526	Lockwasher - 5/8	8
19	W-522	Lockwasher - 5/16	2
20	N32735	Hitch Pin - 1 1/4 x 5 1/4 UL (Not Shown)	1
21	N19307	Klik Pin - 1/4 x 1 3/4 (Not Shown)	1

Index

A	C12836 5-9	H18102 4-3, 4-7	H21366 1-5
A18118 3-3	C12849 5-9	H18106 4-3	H21367 1-5
A18174 3-3	C13282 5-9	H18108 4-3, 4-7	H21374 1-3
A25662 3-3	C13704 1-5	H18109 4-7	H21379 1-3
B	C13763 5-9	H18110 4-3, 4-7	H21381 1-5
BW-11 1-5	C15312 5-3	H18111 4-7	H21383 1-5
BW-8 4-3, 4-5, 4-7, 4-9	C15387 5-9	H18112 4-3, 4-5	H21386 1-3
C	C16653 5-3, 5-5	H18113 4-7, 4-9	H21390 1-3
C-1429 1-5	C17295 3-3	H18122 3-3	H21394 4-5, 4-9
C-1463 2-3	C17348 2-3	H18123 3-3	H21395 4-5, 4-9
C-1473 2-3	C18758 1-3	H18127 3-3	H21397 4-5
C-1521 2-3	C18759 1-3	H18128 3-3	H21398 4-5, 4-9
C-1522 2-3	C26339 5-7	H18141 3-3	H21399 4-9
C-1550 1-5	C32024 5-9	H18179 3-3	H21400 4-9
C-2135 5-9	C34801 6-6	H18180 3-3	H21401 4-5, 4-9
C-2136 5-9	C34802 6-6	H18181 3-3	H21404 4-3, 4-5, 4-7, 4-9
C-2154 5-9	C34833 6-6	H18182 3-3	H21405 4-3, 4-5, 4-7, 4-9
C-2155 5-9	C34837 6-6	H18243 3-3	H21406 1-3
C-2164 5-9	C34839 6-6	H18249 3-3	H21418 3-3, 6-3
C-219 6-5	C34843 6-6	H18267 5-7	H21421 1-3, 6-3
C-2196 5-9	C44048 3-3	H18269 5-3	H21422 1-3, 6-3
C-2198 1-5, 5-3, 5-9	D	H18275 1-5	H21425 6-3
C-2199 5-9	D-4808 5-7	H18286 4-3, 4-5, 4-7, 4-9	H21426 6-3
C-2215 5-9	D-4838 5-3, 5-7	H18551 1-3	H21428 6-3
C-3245 3-3	D-5140 1-3	H18677 4-3, 4-5, 4-7, 4-9	H21436 1-5
C-3258 2-3	D-5244 1-5	H18732 4-3, 4-7	H21437 3-3
C-333 4-3, 4-5, 4-7, 4-9	D-5249 5-7	H18971 5-3	H21445 1-5
C-3902 1-5	D-5275 1-5	H18972 6-5	H21470 1-5
C-3918 5-7	D-5489 1-5	H18973 6-5	H21480 1-6
C-4262 1-5	D-5519 1-3	H18974 6-5	H21635 4-9
C-4357 5-3	D13701 6-5	H18975 6-5	H21637 1-5
C-4378 5-3	F	H18978 6-5	H21639 1-3
C-4380 5-5	F-3405 1-3, 4-3, 4-5, 4-7, 4-9, 6-5	H18979 6-5	H21666 4-5
C-4388 5-7	F-3645 1-5	H20145 6-5	H21678 1-5
C-4391 5-5	F-3864 5-3, 5-5	H21095 1-3	H21692 1-5
C-4392 5-5	F-3865 5-5	H21128 1-3	H21696 3-3, 6-3
C-4399 5-7	F-4558 5-3	H21144 1-3	H22779 5-7
C-4403 5-3, 5-5, 5-7, 5-9	F-4561 5-3	H21148 1-3	H22824 1-3
C-4405 5-3, 5-7, 5-9	F-5679 5-7	H21149 1-3	H22825 1-3
C-4469 5-5	F11010 5-3	H21153 1-5	H23097 2-3
C-4698 5-3	F14658 5-9	H21161 1-5	H23100 6-5
C-507 1-3, 6-3	H	H21181 1-3	H23197 5-5
C-5832 1-6	H-1593 4-3, 4-5, 4-7, 4-9	H21190 1-5	H24238 2-3
C-5834 1-6	H-3024 4-3, 4-5, 4-7, 4-9, 6-3	H21292 1-3	H24275 3-3
C-679 5-3	H-4322 1-3, 2-3	H21332 1-3	H24373 1-5
C-686 5-5	H-4584 6-5	H21334 1-3	H24424 6-5
C-719 5-3, 5-7, 5-9	H17038 4-3, 4-5, 4-7, 4-9	H21338 1-5	H24425 6-5
C-739 2-3	H17413 4-3, 4-5, 4-7, 4-9	H21339 1-5	H24476 5-5
C-817 5-3, 5-7	H18100 4-3, 4-5, 4-7, 4-9, 6-3	H21342 1-3	H24653 5-3
C-818 5-7, 5-9		H21344 1-3	H25645 5-7
C-883 4-3, 4-5, 4-7, 4-9, 6-5		H21346 1-5	H25665 1-5
C12414 3-3, 6-3		H21350 1-3	H25666 1-5
		H21351 3-3	H25818 3-3
		H21352 1-3	H25819 3-3
		H21361 1-5	H25820 3-3
		H21364 1-5	H25821 3-3

H27842 5-7	W-1383 2-3	W-93 2-3
H28580 4-3, 4-5, 4-7, 4-9	W-1416 2-3	W-94 2-3
H28585 4-3, 4-5, 4-7, 4-9, 6-5	W-1474 2-3	W21963 5-5
H30043 1-3	W-1475 2-3	
J	W-1537 2-3	
J11296 1-3	W-1538 2-3	
K	W-1553 6-6	
K-5688 2-3	W-1599 1-5	
M	W-187 5-7, 6-5	
M-3388 1-5, 5-3	W-232 2-3	
N	W-3022 5-3	
N15041 5-7	W-3329 2-3	
N15098 5-5	W-4181 1-3, 1-5	
N15194 1-5	W-469 5-7, 6-6	
N16257 5-7	W-473 5-7, 6-6	
N16608 5-7, 6-6	W-475 4-3, 4-5, 4-7, 4-9	
N19307 6-6	W-476 2-3	
N19366 6-6	W-479 5-3	
N21691 5-7	W-480 6-3	
N24301 1-5	W-488 1-5	
N32735 6-6	W-489 4-3, 4-5, 4-7, 4-9	
N34476 1-5	W-490 1-5	
N34477 1-5	W-493 1-3	
N34478 1-5	W-498 1-3	
N44039 3-3	W-500 1-3	
P	W-512 1-5, 5-7, 6-6	
P1C10120 1-3	W-513 5-5, 5-7, 6-6	
S	W-514 4-3, 4-5, 4-7, 4-9, 5-5, 5-7, 6-3, 6-5	
S-1175 1-3	W-516 1-3, 2-3, 3-3, 4-3, 4-5, 4-7, 4-9, 6-3, 6-5	
S-1189 1-3	W-517 1-3, 6-5, 6-6	
S-1197 1-3, 6-3	W-518 1-3, 6-6	
S-1299 5-7	W-521 5-7, 6-6	
S-1303 5-5	W-522 5-5, 5-7, 6-6	
S-1311 2-3, 3-3	W-523 4-3, 4-5, 4-7, 4-9, 5-5, 5-7, 6-3, 6-5	
S-1379 5-7	W-525 1-3, 2-3, 3-3, 4-3, 4-5, 4-7, 4-9, 6-3, 6-5	
S-1925 1-5	W-526 1-3, 6-5, 6-6	
S-4730 5-5	W-527 1-3, 6-6	
S-752 2-3, 3-3	W-529 2-3	
S-776 4-3, 4-5, 4-7, 4-9, 6-5	W-530 4-3, 4-5, 4-7, 4-9	
S29960 5-3	W-532 6-3	
S29962 5-3	W-535 1-5	
T	W-539 6-5	
T-5245 1-3	W-540 1-3, 3-3	
W	W-558 1-3	
W-106 1-5	W-619 5-7	
W-131 4-3, 4-5, 4-7, 4-9	W-7 1-3	
W-1326 1-3	W-73 6-3	
	W-86 2-3	
	W-87 2-3	
	W-88 2-3	
	W-89 2-3, 3-3	
	W-90 2-3, 3-3	
	W-91 2-3	
	W-92 2-3	

--	--	--	--



CORPORATE OFFICE AND TRAINING CENTRE

2131 Airport Drive
Saskatoon, SK, Canada S7L 7E1
Tel: (306) 933-8585 Fax: (306) 933-8626
www.morris-industries.com

**MANUFACTURING AND
RESEARCH & DEVELOPMENT**

85 York Road Yorkton, SK, Canada S3N 3Z4
Tel: (306) 783-8585 Fax: (306) 782-5250

MANUFACTURING

284 - 6th Ave. N.W.
Minnedosa, MB, Canada R0J 1E0
Tel: (204) 867-2713 Fax: (204) 867-2678

UNITED STATES OFFICE

P.O. Box 1117
Minot, ND, USA 58702-1117
Tel: 1-866-663-8515
Fax: 1-866-663-8535

The policy of Morris Industries Ltd. is one of continuing improvement, therefore, the company reserves the right to change any specification without notice.

January 2009

Printed in Canada