

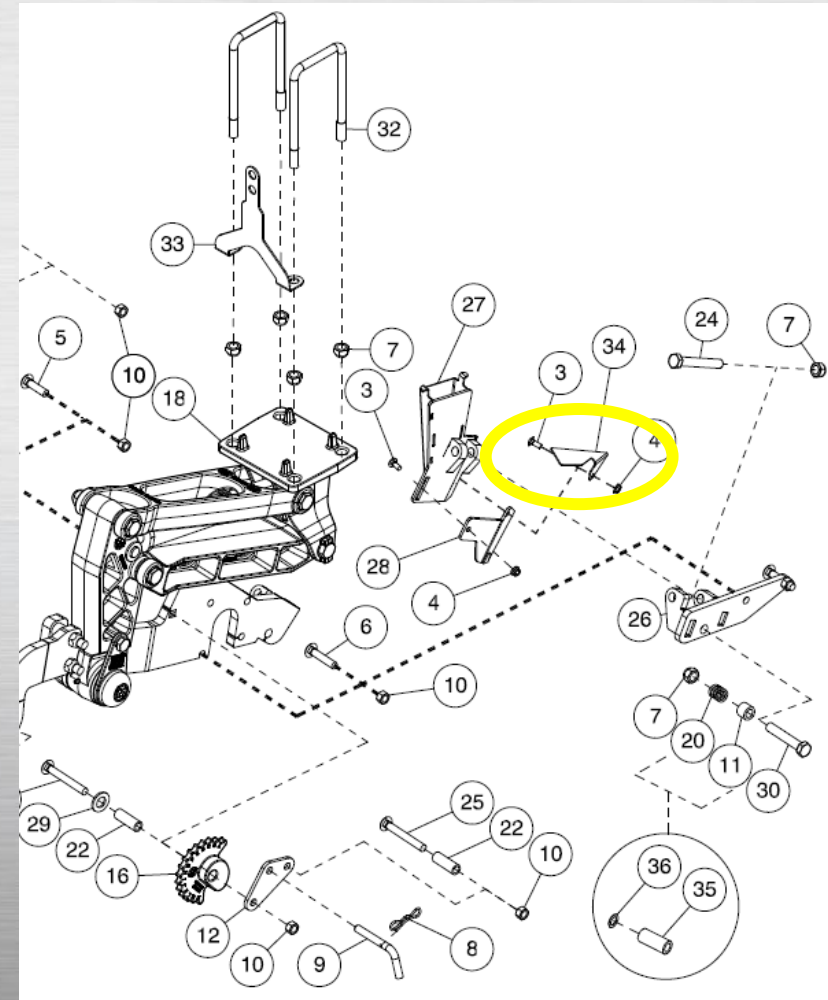
M MORRIS
RAZR



RAZR DRILL TRAINING
Module 3: Trash Shield Installation

TRASH SHIELD INSTALLATION

- This module focuses on the proper finished installation of trash shields for the Razr disc drill opener assemblies prior to 2016.
- The diagram to the right shows the shield, part number S56458 for the right side opener. (S56464 for the left)



TRASH SHIELD INSTALLATION

- The picture on the right shows an improper installation where too much of a gap is present, allowing trash to get in by the seed boot.



TRASH SHIELD INSTALLATION

- Proper installation allows trash to flow better up and out of the opener assembly. Shields should lay flat against the seed boot.



