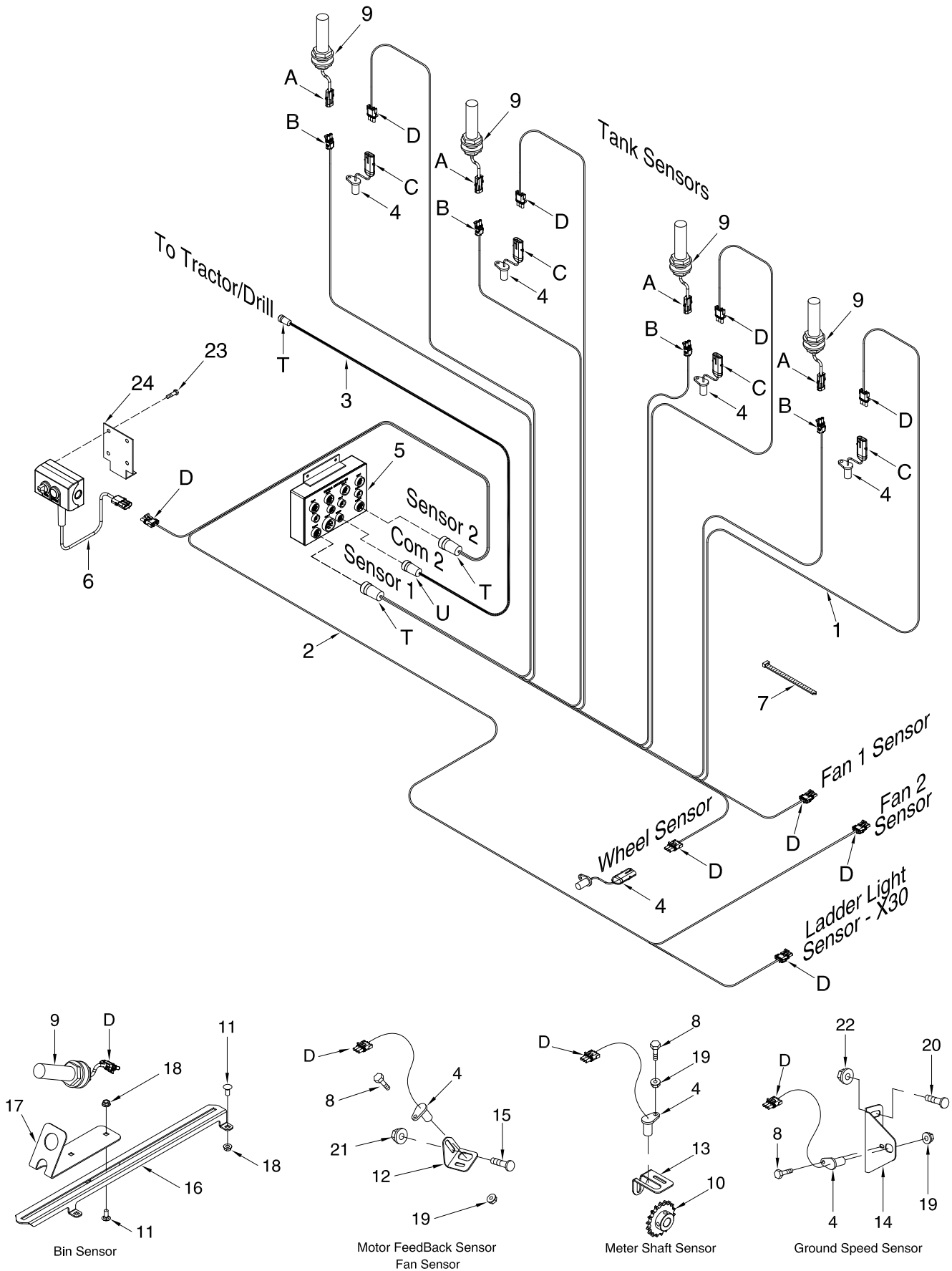


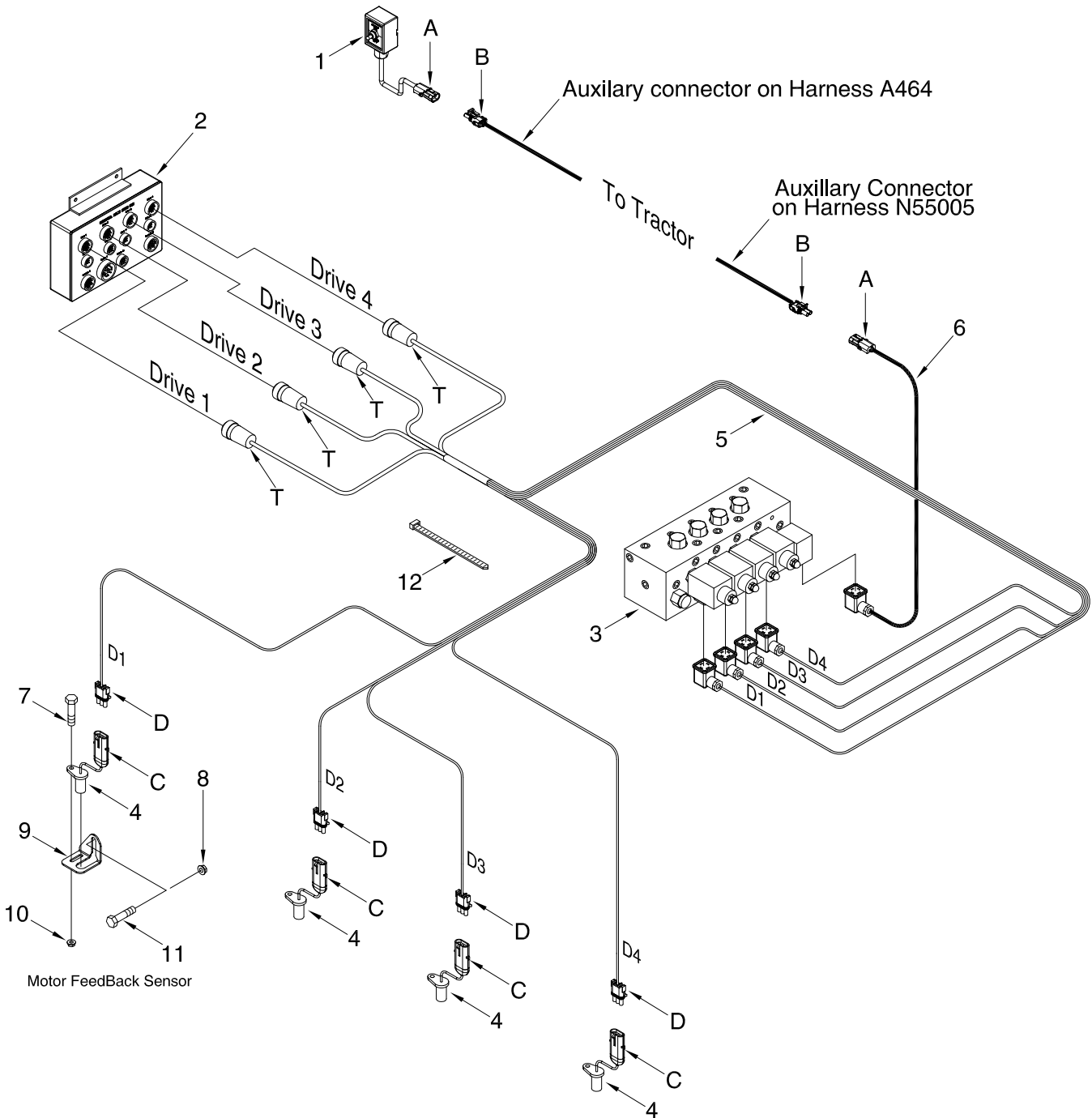
# TopCon System X30 Cart Harness



## X30 Cart Harness

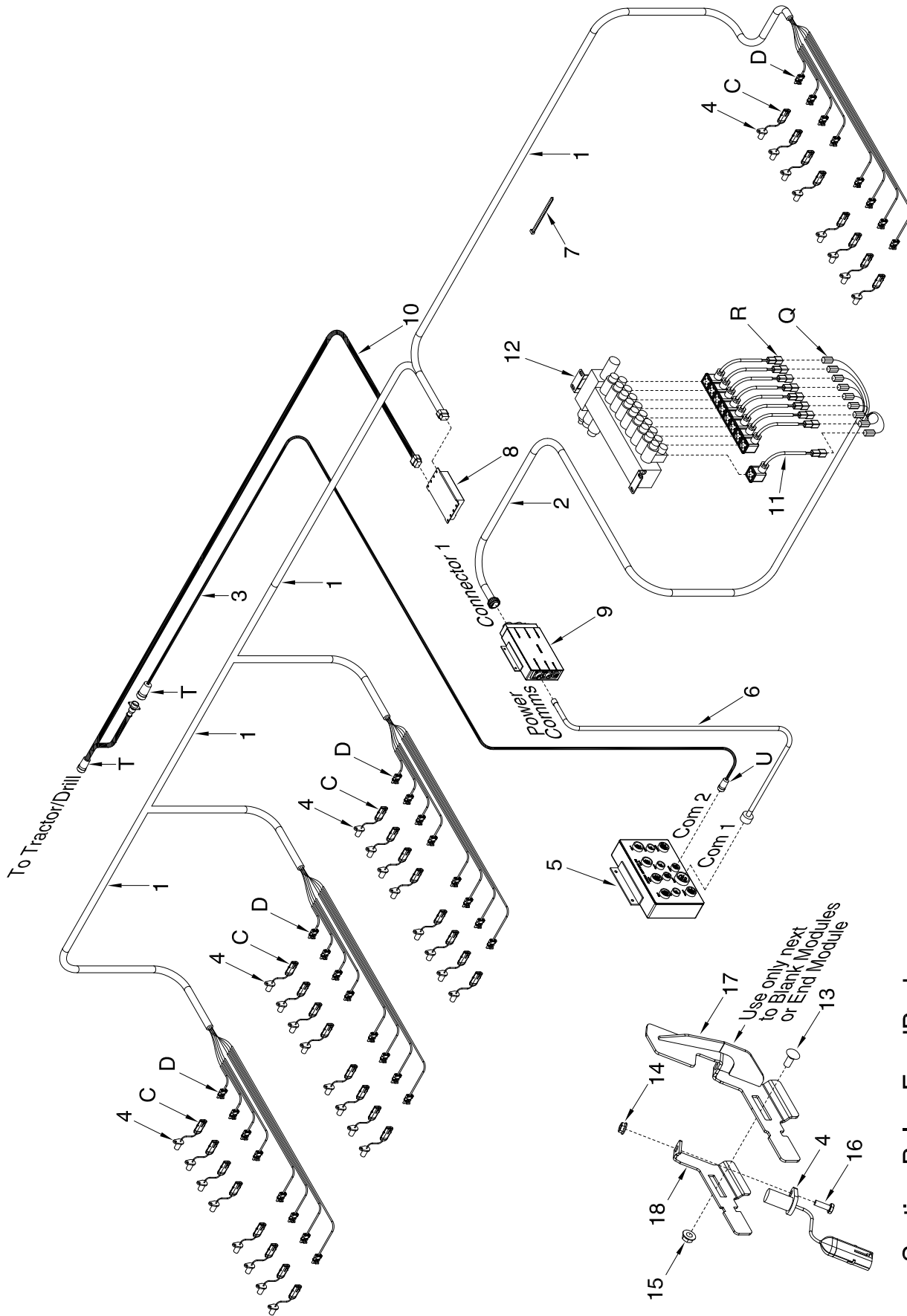
Item	Part No.	Description	Qty
<b>Quantities listed are for a 4 Tank system</b>			
1	N55004	TopCon 4 Tank Harness (A3695).....	1
2	N55007	TopCon Dual Fan Harness (AGA4895) .....	1
3	N55005	TopCon Actuator Harness (A3738).....	1
4	N50070	Sensor - Hall Effect (A3680) .....	5
5	N50622	Multi Drive Electronic Control Unit - 4 Channel (AGA3980) .....	1
6	N55009	TopCon - Run/Stop/Reset/ Box (A1771).....	1
7	D-4838	Nylon Tie Strap - 14 1/2 Lg (Black) .....	AsReq
8	W-469	Hex Bolt - 1/4 x 3/4 Lg.....	9
9	N55011	Bin Level Sensor (A3681) .....	4
10	N45198	Sprocket - 40B18 - 3/4 Diameter Bore .....	4
11	D-5259	Carriage Bolt - 5/16 x 3/4 Lg .....	20
12	N29296	Fan Sensor Bracket .....	1
13	N45199	Shaft Sensor Bracket .....	4
14	N37330	Ground Speed Sensor Bracket .....	1
15	D-5260	Carriage Bolt - 3/8 x 1 1/4 Lg .....	1
16	N40899	Adjustment Plate .....	4
17	N34799	Bracket - Bin Level Sensor.....	4
18	D-5278	Locknut - 5/16 Serrated.....	20
19	D-5277	Locknut - 1/4 Serrated.....	6
20	D-5265	Carriage Bolt - 1/2 x 1 Lg .....	2
21	D-5279	Locknut - 3/8 Serrated.....	1
22	D14565	Locknut - 1/2 Serrated.....	2
23	N29696	Screw - #10 x 3/4 Hex Self Tap.....	4
24	N48009	Mounting Bracket - Run\Reset Box .....	1
	N45166	Full Monitor Kit (AGA4552) - Contains Items (N55013 & N55014)	
	N55014	4 Tank Seeder Kit - Contains Items (1, 2, 3, 5, 6, N55006 & N55008)	
	N55013	4 Bin Sensor Kit - Contains Items (4 & 9)	
<b>Replacement Connectors</b>			
A	N29384	Weather Pak Connector - BLACK - 2 Pin Plug	
B	N29385	Weather Pak Connector - BLACK - 2 Pin Socket	
C	N27613	Weather Pak Connector - BLACK - 3 Pin Plug (Male)	
D	N27614	Weather Pak Connector - BLACK - 3 Pin Socket (Female)	
T	206037-1	Amphenol - 16 Pin Plug (Female)	
U	206708-1	Amphenol - 9 Pin Plug (Female)	

# TopCon System X30 VR Harness



## X30 VR Harness

Item	Part No.	Description	Qty
<b>Quantities listed are for a 4 Tank system</b>			
1	N55008	TopCon Limp Home Box (AGA4206) - used in Kit N55014 .....	1
2	N50622	Multi Drive Electronic Control Unit - 4 Channel (AGA3980) .....	1
3	N45195	Valve Manifold Assembly.....	1
4	N50070	Sensor - Hall Effect (A3680) .....	5
5	N55006	4 Bin Drive Harness (A3737) .....	1
6	A3739	Limp Home Harness .....	1
7	W-469	Hex Bolt - 1/4 x 3/4 Lg.....	4
8	D-5279	Locknut - 3/8 Serrated.....	4
9	N29296	Fan Sensor Bracket .....	4
10	D-5277	Locknut - 1/4 Serrated.....	4
11	D-5260	Carriage Bolt - 3/8 x 1 1/4 Lg .....	4
12	D-4838	Nylon Tie Strap - 14 1/2 Lg (Black) .....	AsReq
<b>Replacement Connectors</b>			
A	N29384	Weather Pak Connector - BLACK - 2 Pin Plug	
B	N29385	Weather Pak Connector - BLACK - 2 Pin Socket	
C	N27613	Weather Pak Connector - BLACK - 3 Pin Plug (Male)	
D	N27614	Weather Pak Connector - BLACK - 3 Pin Socket (Female)	
T	206037-1	Amphenol - 16 Prin Plug (Female)	

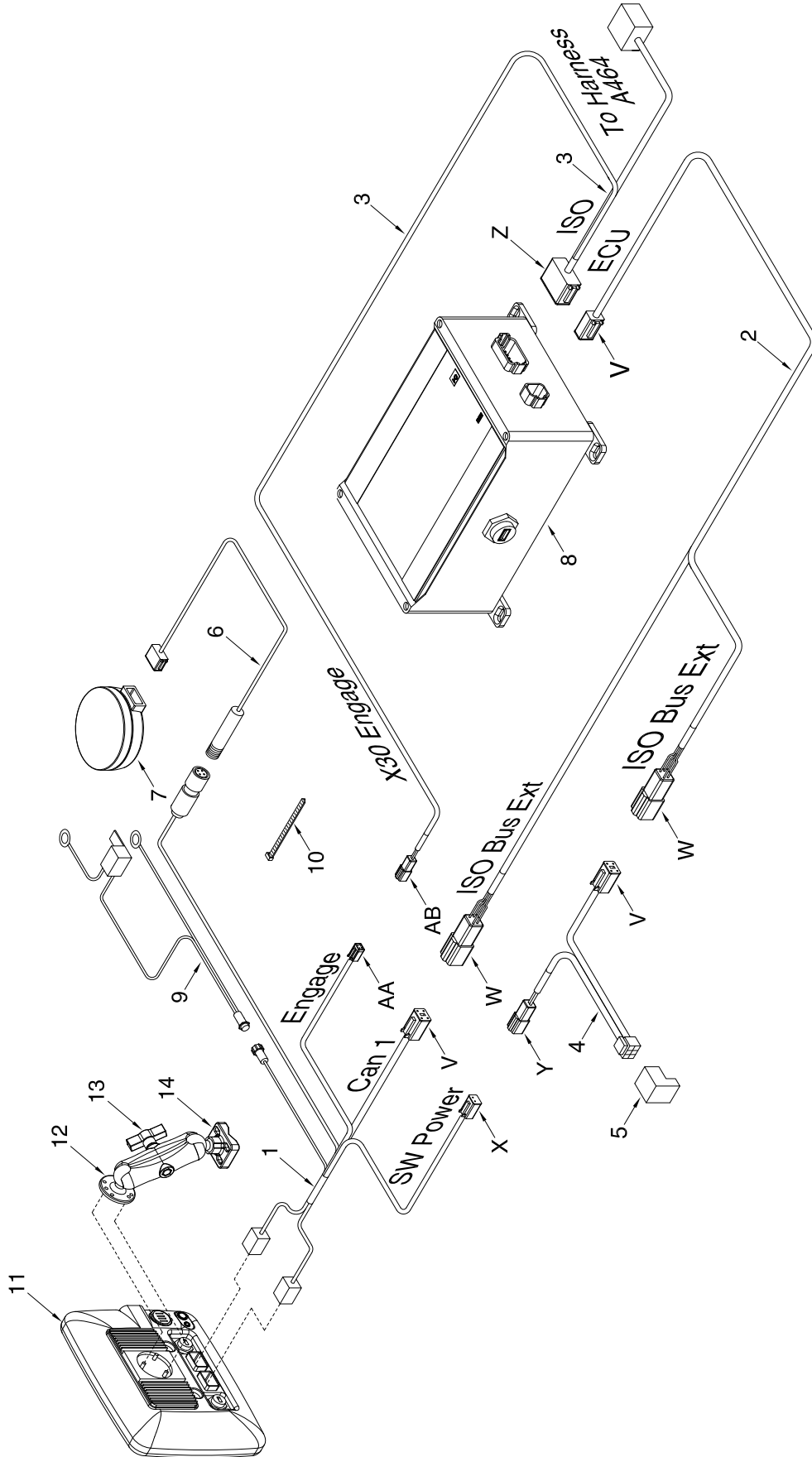


Section Pulse Feedback  
Sensor

## X30 ICT System

Item	Part No.	Description	Qty
<b>Quantities listed are for a 4 Tank system</b>			
1	N55980	ICT Section Sensing Harness.....	1
2	N55016	ICT 9 Granular Section Harness.....	1
3	N55005	Topcon Actuator Harness (A3738) - used in Kit N55014 .....	1
4	N50070	Sensor - Hall Effect (A3680) .....	32
5	N50622	Multi Drive Electronic Control Unit - 4 Channel (AGA3980) - used in Kit N55014 .....	1
6	N47442	MDECU Adapter Harness (AGA4057) .....	1
7	D-4838	Nylon Tie Strap - 14 1/2 Lg (Black) .....	AsReq
8	N55252	Monitor Head For Section Sensing (A1954).....	1
9	N55253	Sectional Control with MDECU (AGA4727) .....	1
10	N47453	Extension Harness (A2017) .....	1
11	N55258	Hirschman Connector for Granular Section Control (AGA5318) .....	1
12	N48750	Control Valve .....	1
13	D-5259	Carriage Bolt - 5/16 x 3/4 Lg .....	32
14	D-5277	Flange Locknut - 1/4 .....	32
15	D-5278	Flange Locknut - 5/16 .....	32
16	N36597	Hex Bolt - 1/4 x 3/4 Lg.....	32
17	N55192	Meter Shaft Stop .....	AsReq
18	N50747	Sensor Bracket.....	28
	N55032	Section Sensing Harness Kit - Contains Items (1, 8 & 10)	
	N55250	4 Tank 9 Run Sensor Kit - Contains Items (4 & 10)	
	N55015	Morris Granular ICT Kit - Contains Items (2, 6, 9 & 11)	
<b>Replacement Connectors</b>			
C	N27613	Weather Pak Connector - BLACK - 3 Pin Plug (Male)	
D	N27614	Weather Pak Connector - BLACK - 3 Pin Socket (Female)	
T	206037-1	Amphenol - 16 Pin Plug (Female)	
U	206708-1	Amphenol - 9 Pin Plug (Female)	
Q	C32681	Deutsch DT 2 way Plug with Wedge - Female Pin 16-20G	
R	C32681	Deutsch DT 2 Way Plug with Wedge - Male Pin 16-20G	

# TopCon System X30 Tractor Installation



## X30 Tractor Installation

Item	Part No.	Description	Qty
<b>Quantities listed are for a 4 Tank system</b>			
1	N53032	Topcon X30 Power/Comms Harness (AGA5072).....	1
2	N53052	Ext Harness (AGA5251).....	1
3	N53037	ISO Bridge Adapter Harness (AGA4885).....	1
4	N53053	Active Term (AGA4678).....	1
5	N53054	Can Term Bias Circuit (AGK159).....	1
6	N53035	GPS Reciever Harness (AGA4217).....	1
7	N53034	GPS Reciever (SGR-1).....	1
8	N51414	ISO Bridge (AGA4634).....	1
9	N55982	X30 Power Harness (AGA4073).....	1
10	D-4838	Nylon Tie Strap - 14 1/2 Lg (Black).....	AsReq
11	N53031	X30 Console (AGA4477) - Includes Ram Mount Items (12, 13 & 14).....	1
12	N55984	Ram Mounting Ball 0- Circular Base.....	1
13	K45686	Ram Mounting Arm - 5".....	1
14	K45685	Ram Mount Base - Ubolt.....	1
15	N53064	ISO Bridge Install Guide - Not Shown.....	1
	N53033	Topcon GPS Antenna Kit (AGA4749) - Contains Items (6 & 7)	
	N53480	Topcon Base Kit (AGA4769) - Contains Items (1, 9 & 11)	
	N53030	Topcon GPS Kit (AGA4748)- Contains Items (1, 6, 7, 9 & 11)	
	N53036	Topcon ISO Bridge Seeder Kit (AGA5291) - Contains items (2, 3, 4, 5, 8 & 15)	
	N55985	Ram Arm Mounting Kit - Contains Items (12, 13 & 14)	
<b>Replacement Connectors</b>			
V	DT06-4S	Deutchsh - 4 Pin Plug	
W	DT04-4P	Deutchsh - 4 Pin Receptacle	
X	DT06-2S	Deutchsh - 2 Pin Plug	
Y	DT04-2P	Deutchsh - 2 Pin Receptacle	
Z	DT06-12S	Deutchsh - 12 Pin Plug	
AA	DTM06-2S	Deutchsh - 2 Pin Plug	
AB	DTM04-2P	Deutchsh - 2 Pin Receptacle	